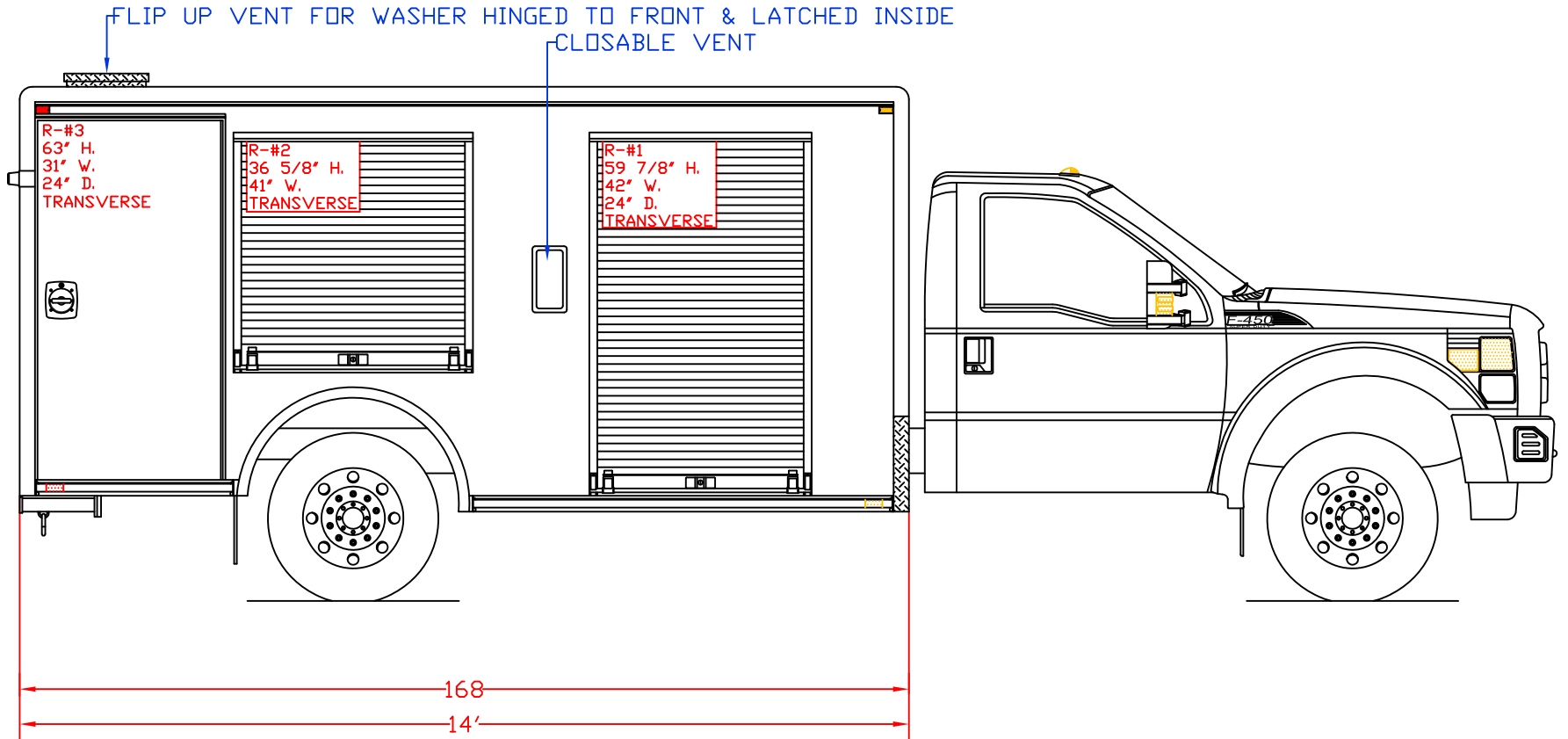


Maintainer *Custom Bodies, Inc.*
 909 South East Street
 Rock Rapids, IA 51246
 (800) 843-4288 Toll Free
 (712) 472-4725
 mcbfire.com

CUSTOMER APPROVED BY:	
VEHICLE TYPE: SERVICE	CHASSIS: FORD F-450 REGULAR CAB 4X4
VIEW: STREETSIDE	BODY MAT'L: ALUMINUM
SCALE: NTS	BODY LENGTH: 168"
DRAWN BY: NRW	APPROVED BY:
DATE: 2/19/2016	BODY STYLE:
DWG NO.: LELOUXDIVERSIFIED	REVISION:

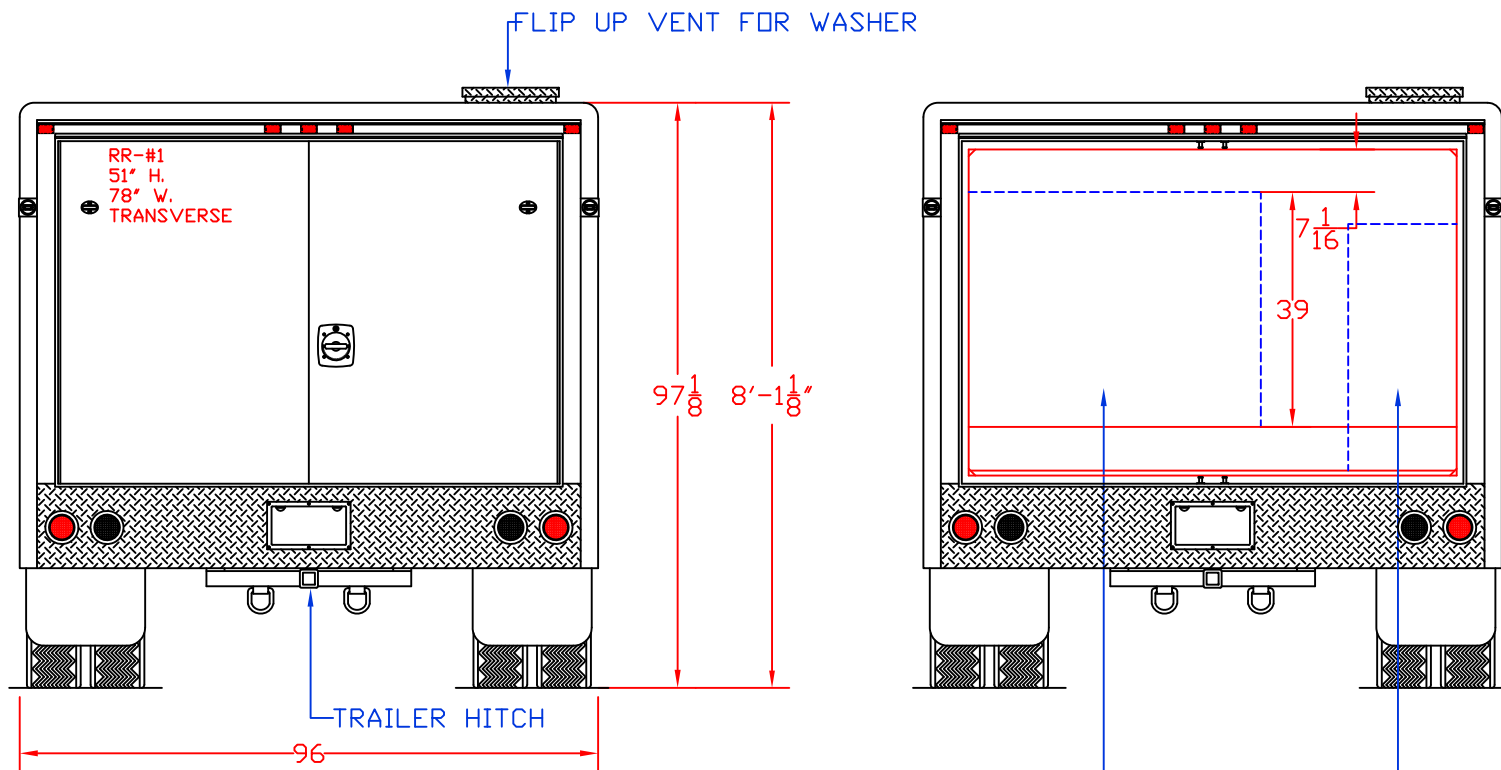
PROPOSAL FOR: LELOUX DIVERSIFIED



Maintainer *Custom Bodies, Inc.*
 909 South East Street
 Rock Rapids, IA 51246
 (800) 843-4288 Toll Free
 (712) 472-4725
mcbfire.com

CUSTOMER APPROVED BY:	
VEHICLE TYPE: SERVICE	CHASSIS: FORD F-450 REGULAR CAB 4X4
VIEW: CURBSIDE	BODY MAT'L: ALUMINUM
SCALE: NTS	BODY LENGTH: 168"
DRAWN BY: NRW	APPROVED BY:
DATE: 2/19/2016	BODY STYLE:
DWG NO.: LELOUXDIVERSIFIED	REVISION:

PROPOSAL FOR: LELOUX DIVERSIFIED



CUSTOMER'S WATER TANK MOUNTED ABOVE WHEEL WELLS
 CUSTOMER'S WASHER MOUNTED IN R-#3

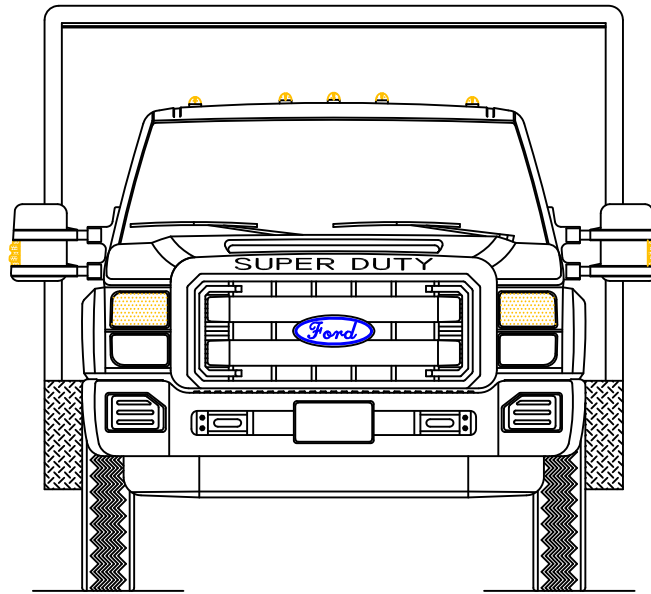


Maintainer Custom Bodies, Inc. mcbfire.com
 909 South East Street
 Rock Rapids, IA 51246
 (800) 843-4288 Toll Free
 (712) 472-4725

CUSTOMER APPROVED BY:

VEHICLE TYPE: SERVICE	CHASSIS: FORD F-450 REGULAR CAB 4X4
VIEW: REAR & REAR COMPARTMENT LAYOUT	BODY MAT'L: ALUMINUM
SCALE: NTS	BODY LENGTH: 168"
DRAWN BY: NRW	APPROVED BY:
DATE: 2/19/2016	BODY STYLE:
DWG NO.: LELOUXDIVERSIFIED	REVISION:

PROPOSAL FOR: LELOUX DIVERSIFIED



Maintainer *Custom Bodies, Inc.*
 909 South East Street
 Rock Rapids, IA 51246

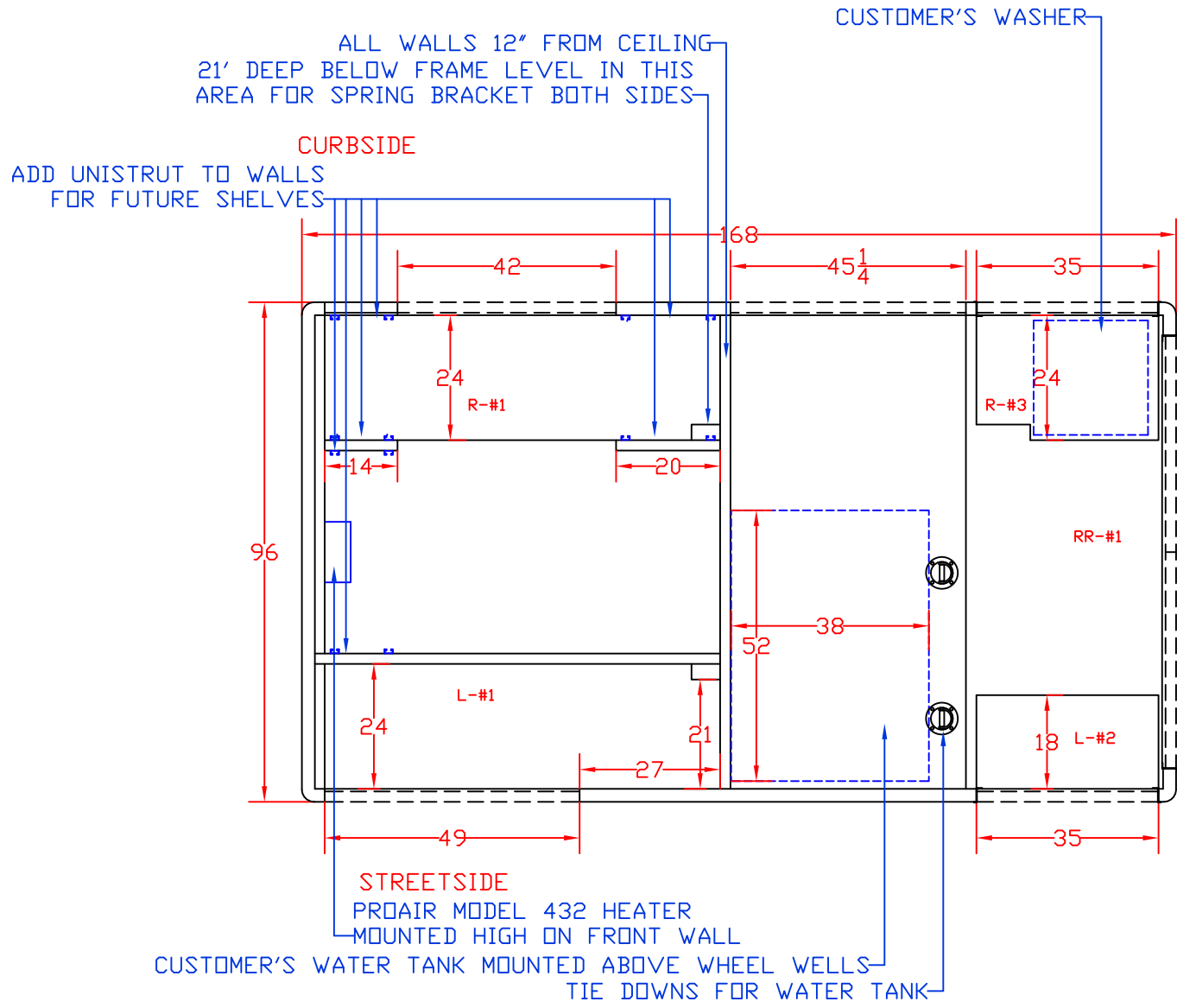
mcbfire.com

(800) 843-4288 Toll Free
 (712) 472-4725

CUSTOMER APPROVED BY:

VEHICLE TYPE: SERVICE	CHASSIS: FORD F-450 REGULAR CAB 4X4
VIEW: FRONT	BODY MAT'L: ALUMINUM
SCALE: NTS	BODY LENGTH: 168"
DRAWN BY: NRW	APPROVED BY:
DATE: 2/19/2016	BODY STYLE:
DWG NO.: LELOUXDIVERSIFIED	REVISION:

PROPOSAL FOR: LELOUX DIVERSIFIED

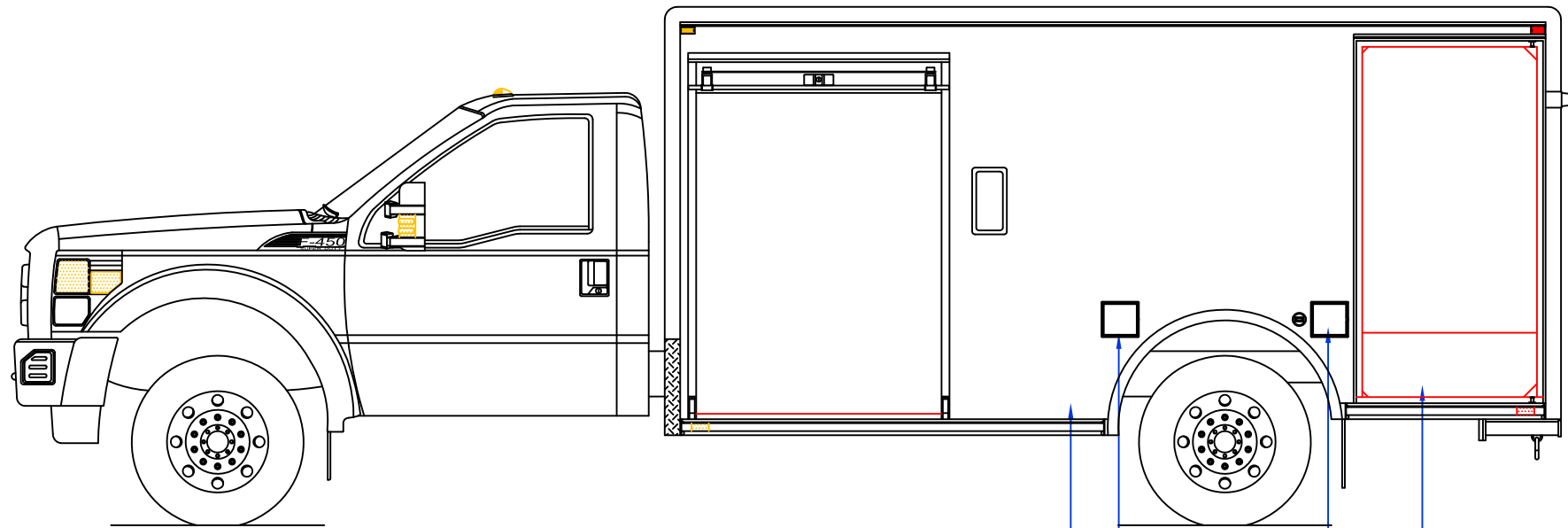


Maintainer *Custom Bodies, Inc.*
 909 South East Street
 Rock Rapids, IA 51246
 (800) 843-4288 Toll Free
 (712) 472-4725

mcbfire.com

CUSTOMER APPROVED BY:	
VEHICLE TYPE: SERVICE	CHASSIS: FORD F-450 REGULAR CAB 4X4
VIEW: TOP	BODY MAT'L: ALUMINUM
SCALE: NTS	BODY LENGTH: 168"
DRAWN BY: NRW	APPROVED BY:
DATE: 2/19/2016	BODY STYLE:
DWG NO.: LELOUXDIVERSIFIED	REVISION:

PROPOSAL FOR: LELOUX DIVERSIFIED



NOTCH OUT FOR CHASSIS SPRING BRACKET 21" DEEP IN THIS AREA
 DIESEL EXHAUST FLUID FILL
 DIESEL FUEL FILL
 LOWER COMPARTMENT 18" DEEP FOR FUEL FILL



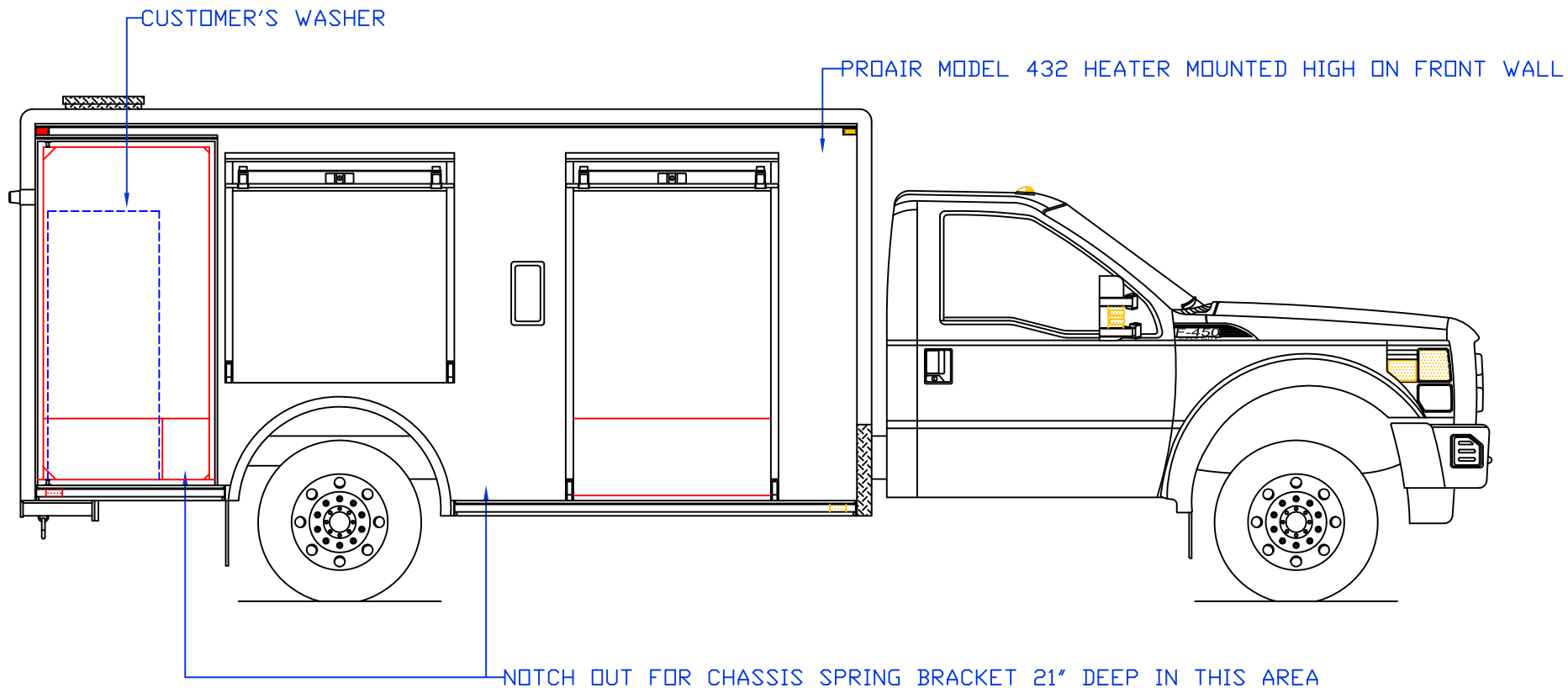
Maintainer *Custom Bodies, Inc.*
 909 South East Street
 Rock Rapids, IA 51246
 (800) 843-4288 Toll Free
 (712) 472-4725

mcbfire.com

CUSTOMER APPROVED BY:

VEHICLE TYPE: SERVICE	CHASSIS: FORD F-450 REGULAR CAB 4X4
VIEW: STREETSIDE COMPARTMENT LAYOUT	BODY MAT'L: ALUMINUM
SCALE: NTS	BODY LENGTH: 168"
DRAWN BY: NRW	APPROVED BY:
DATE: 2/19/2016	BODY STYLE:
DWG NO.: LELOUXDIVERSIFIED	REVISION:

PROPOSAL FOR: LELOUX DIVERSIFIED



Maintainer Custom Bodies, Inc. mcbfire.com
 909 South East Street (800) 843-4288 Toll Free
 Rock Rapids, IA 51246 (712) 472-4725

CUSTOMER APPROVED BY:	
VEHICLE TYPE: SERVICE	CHASSIS: FORD F-450 REGULAR CAB 4X4
VIEW: CURBSIDE COMPARTMENT LAYOUT	BODY MAT'L: ALUMINUM
SCALE: NTS	BODY LENGTH: 168"
DRAWN BY: NRW	APPROVED BY:
DATE: 2/19/2016	BODY STYLE:
DWG NO.: LELOUXDIVERSIFIED	REVISION:

PROPOSAL FOR: LELOUX DIVERSIFIED