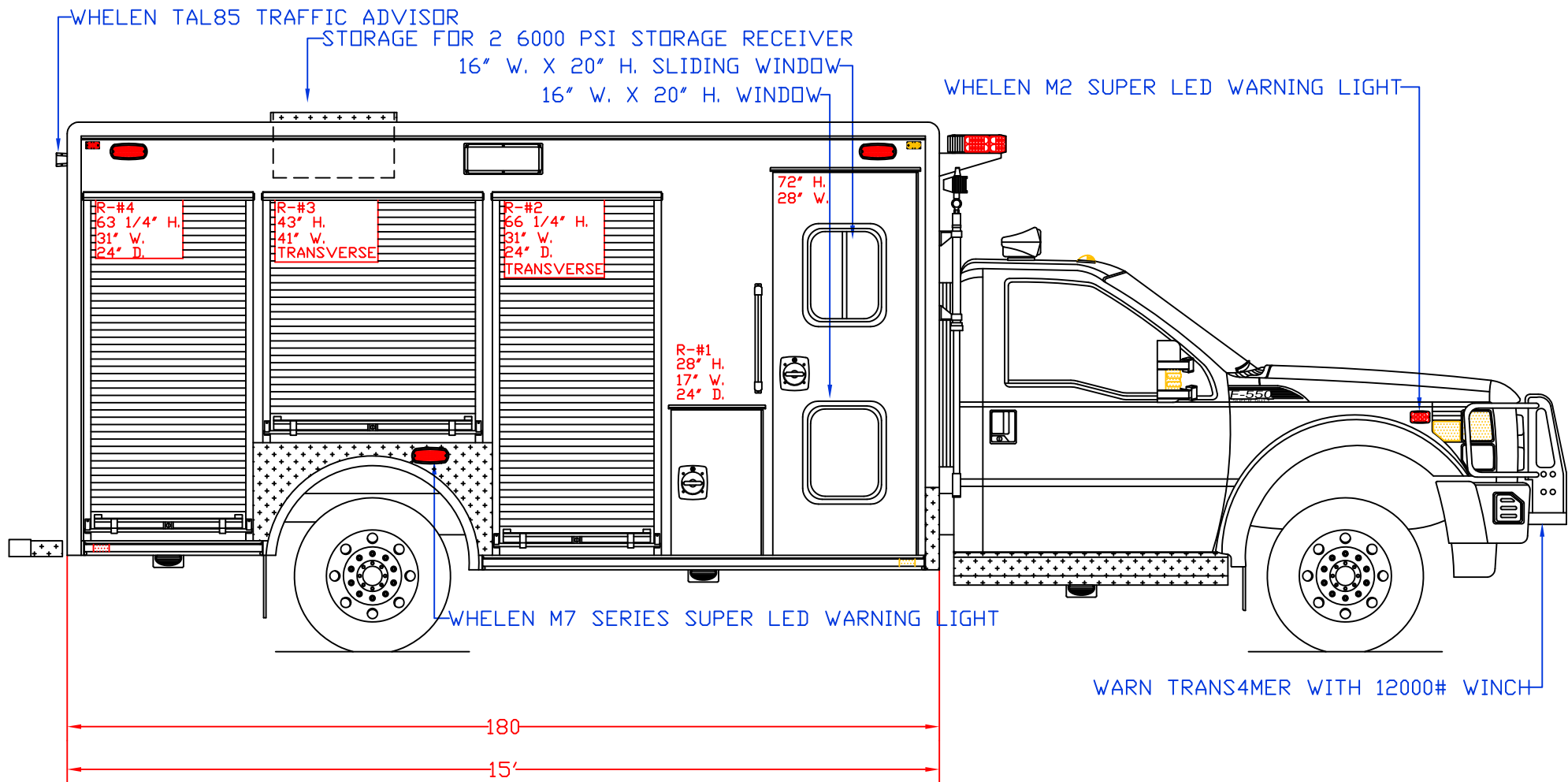


Maintainer Custom Bodies, Inc.
 909 South East Street
 Rock Rapids, IA 51246
 (800) 843-4288 Toll Free
 (712) 472-4725 Phone

CUSTOMER APPROVED BY:	
VEHICLE TYPE: RESCUE	CHASSIS: FORD F-550 4X4
VIEW: STREETSIDE	BODY MAT'L: ALUMINUM
SCALE: NTS	BODY LENGTH: 180"
DRAWN BY: NRW	APPROVED BY:
DATE: 11/6/2014	BODY STYLE:
DWG NO.: EASTGRANDFORKSFIREDEPT	REVISION:

PROPOSAL FOR: EAST GRAND FORKS FIRE DEPARTMENT

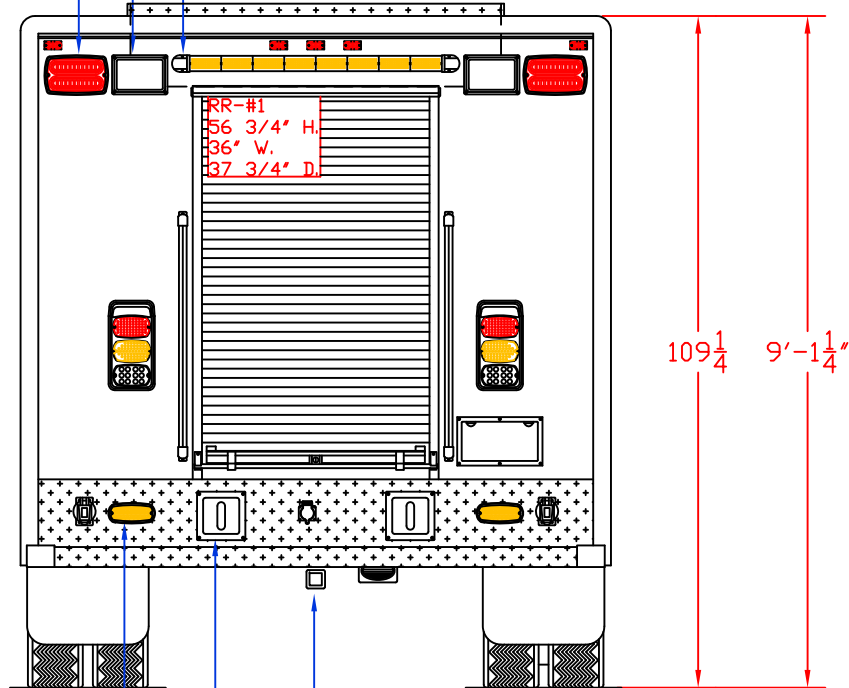


Maintainer Custom Bodies, Inc.
 909 South East Street
 Rock Rapids, IA 51246 (800) 843-4288 Toll Free
 (712) 472-4725 Phone

PROPOSAL FOR: EAST GRAND FORKS FIRE DEPARTMENT

CUSTOMER APPROVED BY:	
VEHICLE TYPE: RESCUE	CHASSIS: FORD F-550 4X4
VIEW: CURBSIDE	BODY MAT'L: ALUMINUM
SCALE: NTS	BODY LENGTH: 180"
DRAWN BY: NRW	APPROVED BY:
DATE: 11/6/2014	BODY STYLE:
DWG NO.: EASTGRANDFORKSFIREDEPT	REVISION:

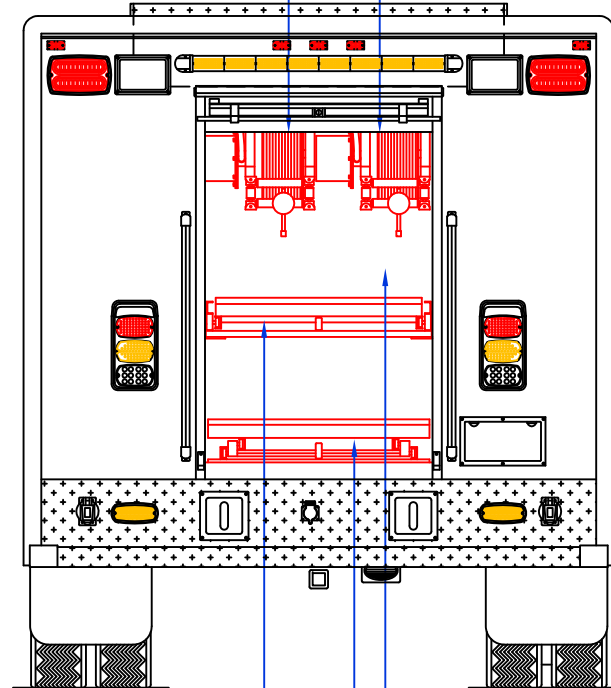
WHELEN M9 SERIES SUPER LED WARNING LIGHT
 WHELEN PCPSM1C SPOT/FLOOD LIGHT
 WHELEN TAL85 TRAFFIC ADVISOR
 STORAGE FOR 1 6000 PSI STORAGE RECEIVER



109 1/4 9'-1 1/4"

TRAILER HITCH
 TOW EYE
 WHELEN M7 SERIES AMBER SUPER LED WARNING LIGHT
 96

HYDRAULIC HOSE REELS



ADJUSTABLE SLIDE OUT TILT DOWN TRAY
 SLIDE OUT TRAY
 240 VOLT RECEPTACLE MOUNTED IN COMPARTMENT

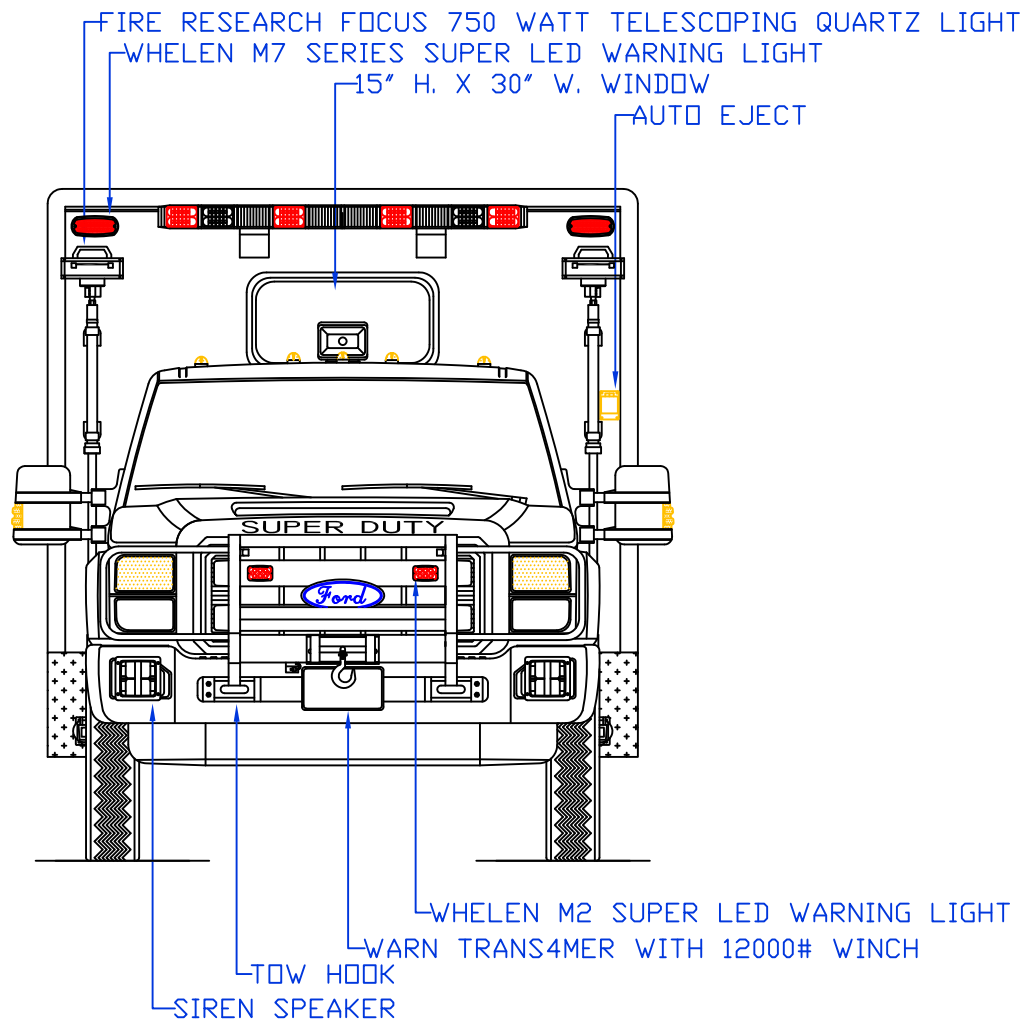
CUSTOMER APPROVED BY:



Maintainer Custom Bodies, Inc.
 909 South East Street
 Rock Rapids, IA 51246
 (800) 843-4288 Toll Free
 (712) 472-4725 Phone

VEHICLE TYPE: RESCUE	CHASSIS: FORD F-550 4X4
VIEW: REAR & REAR COMPARTMENT LAYOUT	BODY MAT'L: ALUMINUM
SCALE: NTS	BODY LENGTH: 180"
DRAWN BY: NRW	APPROVED BY:
DATE: 11/6/2014	BODY STYLE:
DWG NO.: EASTGRANDFORKSFIREDEPT	REVISION:

PROPOSAL FOR: EAST GRAND FORKS FIRE DEPARTMENT



CUSTOMER APPROVED BY: _____

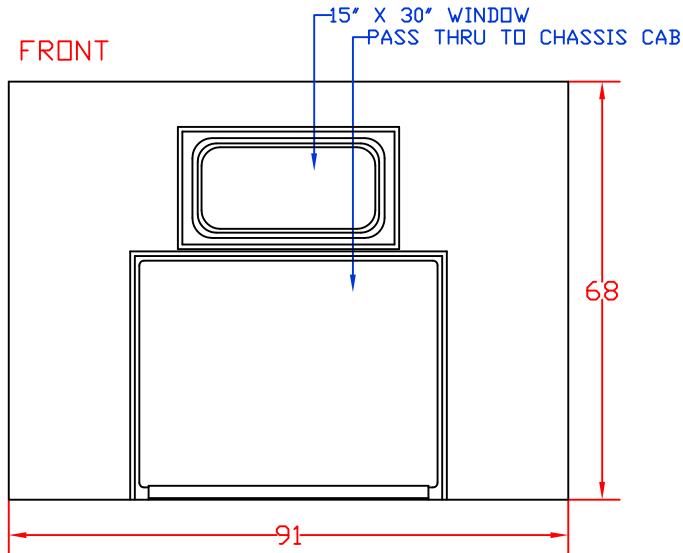


Maintainer Custom Bodies, Inc.
 909 South East Street
 Rock Rapids, IA 51246
 (800) 843-4288 Toll Free
 (712) 472-4725 Phone

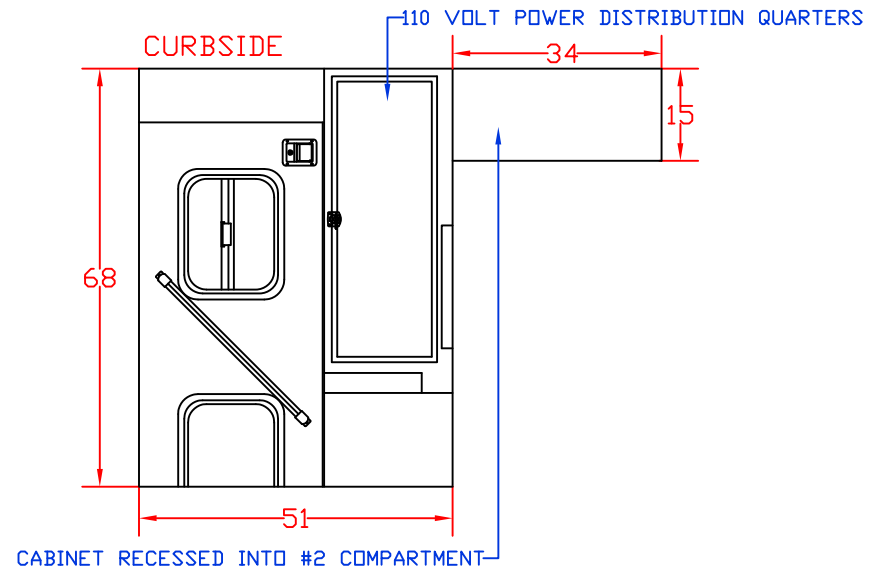
VEHICLE TYPE: RESCUE	CHASSIS: FORD F-550 4X4
VIEW: FRONT	BODY MAT'L: ALUMINUM
SCALE: NTS	BODY LENGTH: 180"
DRAWN BY: NRW	APPROVED BY:
DATE: 11/6/2014	BODY STYLE:
DWG NO.: EASTGRANDFORKSFIREDEPT	REVISION:

PROPOSAL FOR: EAST GRAND FORKS FIRE DEPARTMENT

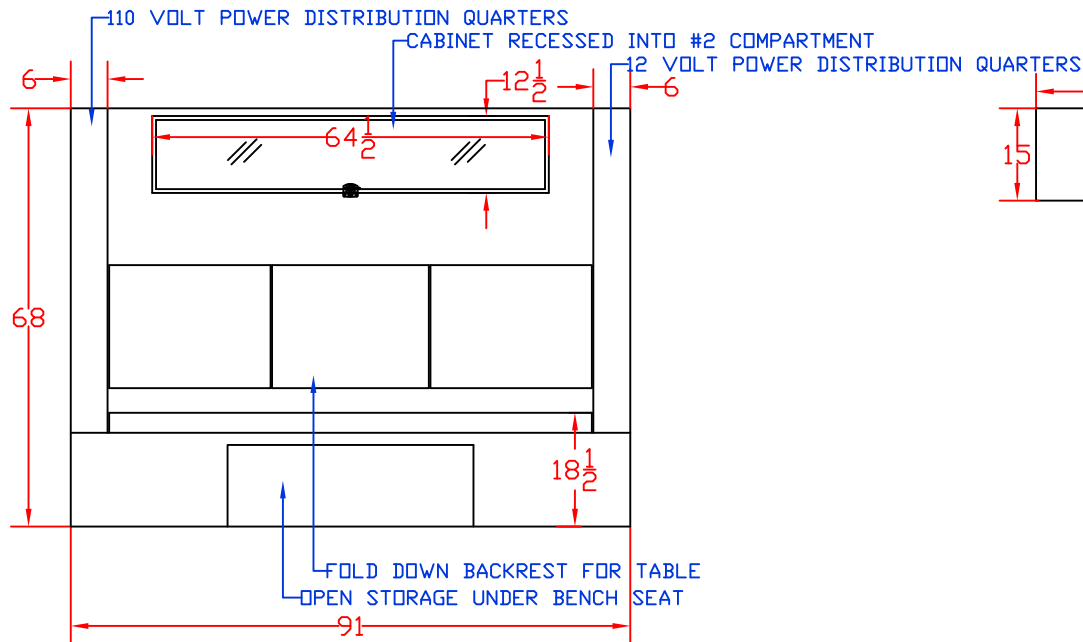
FRONT



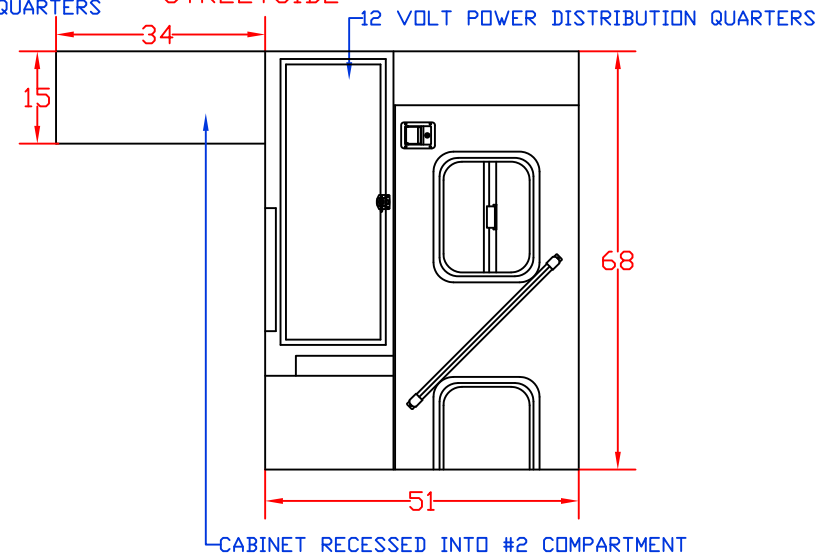
CURBSIDE



BACK



STREETSIDE



CUSTOMER APPROVED BY:

VEHICLE TYPE: RESCUE

VIEW: CREW AREA

SCALE: NTS

DRAWN BY: NRW

DATE: 11/6/2014

DWG NO.: EASTGRANDFORKSFIREDEPT

CHASSIS: FORD F-550 4X4

BODY MAT'L: ALUMINUM

BODY LENGTH: 180"

APPROVED BY:

BODY STYLE:

REVISION:

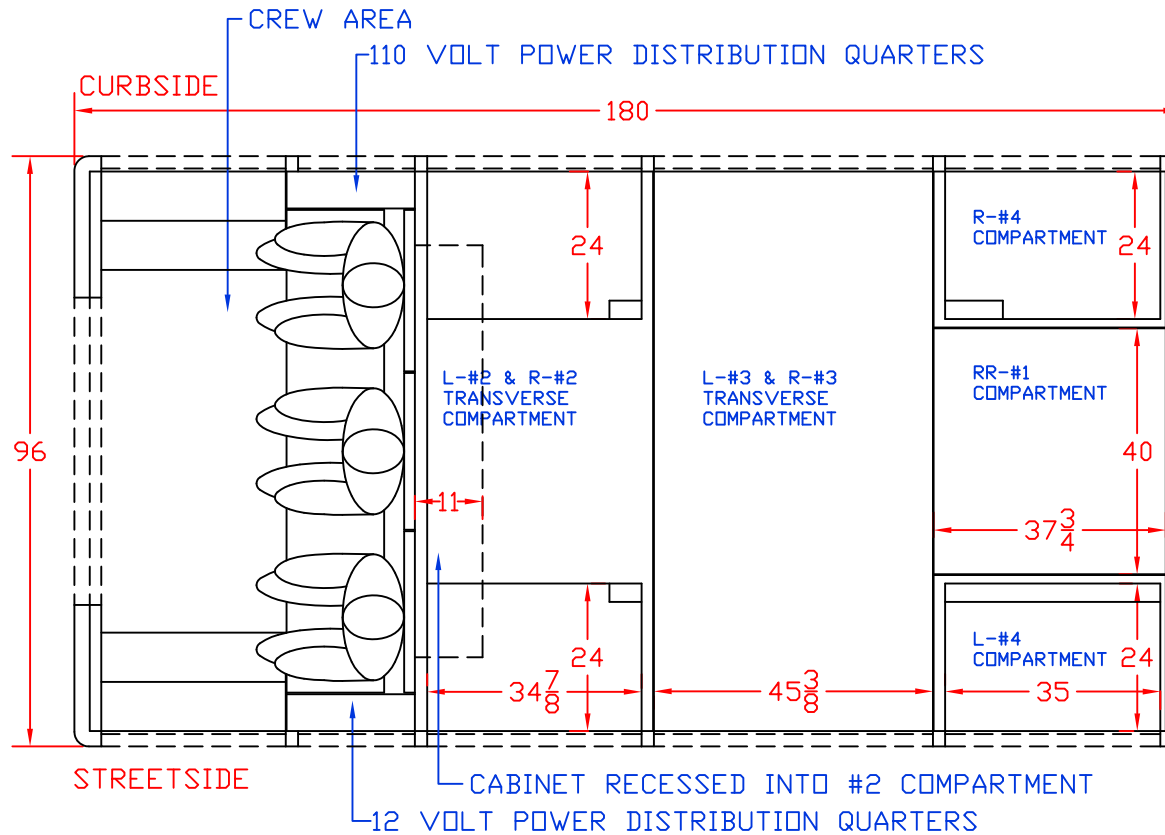


Maintainer Custom Bodies, Inc.

909 South East Street
Rock Rapids, IA 51246

(800) 843-4288 Toll Free
(712) 472-4725 Phone

PROPOSAL FOR: EAST GRAND FORKS FIRE DEPARTMENT

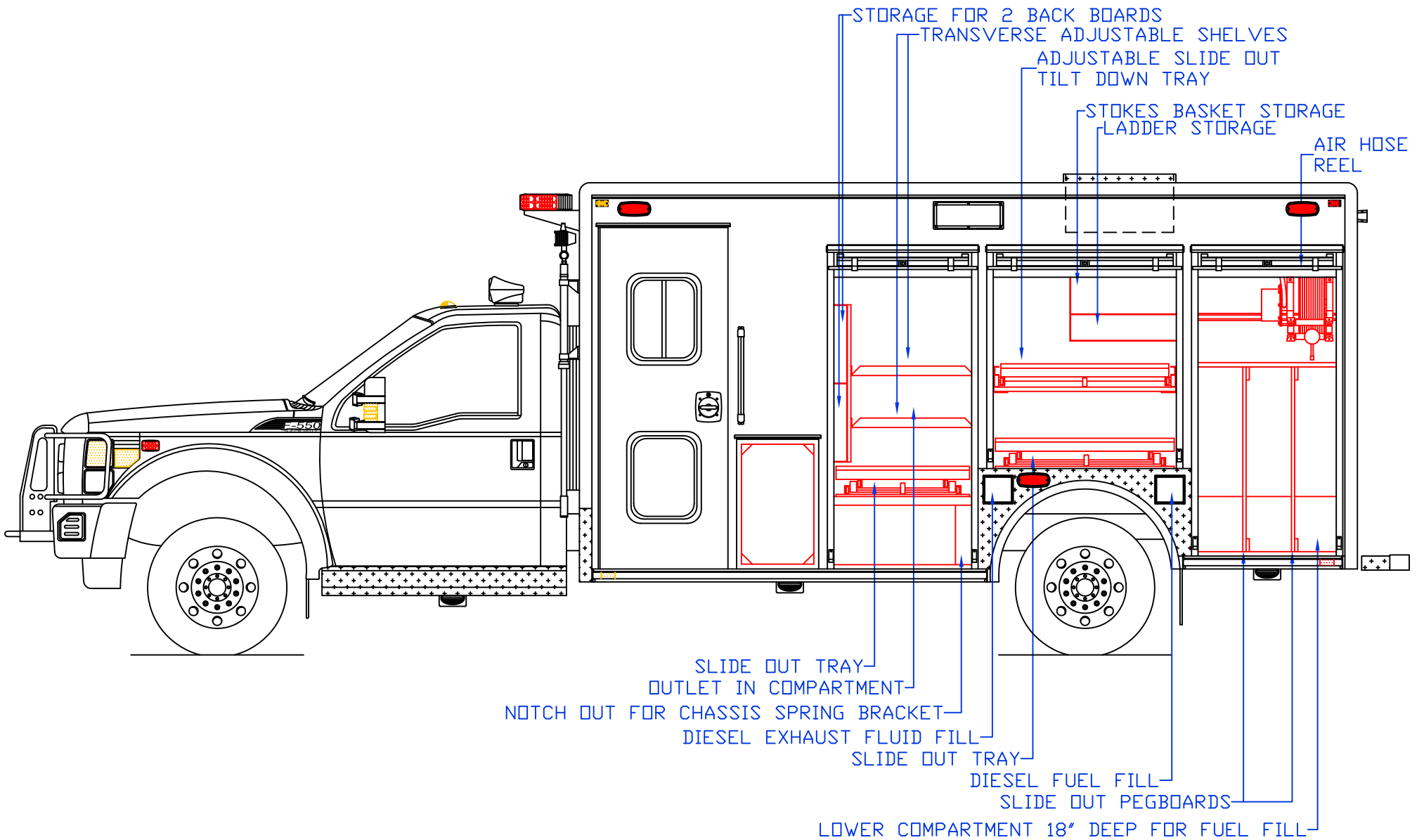


Maintainer Custom Bodies, Inc.
 909 South East Street
 Rock Rapids, IA 51246
 (800) 843-4288 Toll Free
 (712) 472-4725 Phone

CUSTOMER APPROVED BY: _____

VEHICLE TYPE: RESCUE	CHASSIS: FORD F-550 4X4
VIEW: TOP	BODY MAT'L: ALUMINUM
SCALE: NTS	BODY LENGTH: 180"
DRAWN BY: NRW	APPROVED BY:
DATE: 11/6/2014	BODY STYLE:
DWG NO.: EASTGRANDFORKSFIREDEPT	REVISION:

PROPOSAL FOR: EAST GRAND FORKS FIRE DEPARTMENT



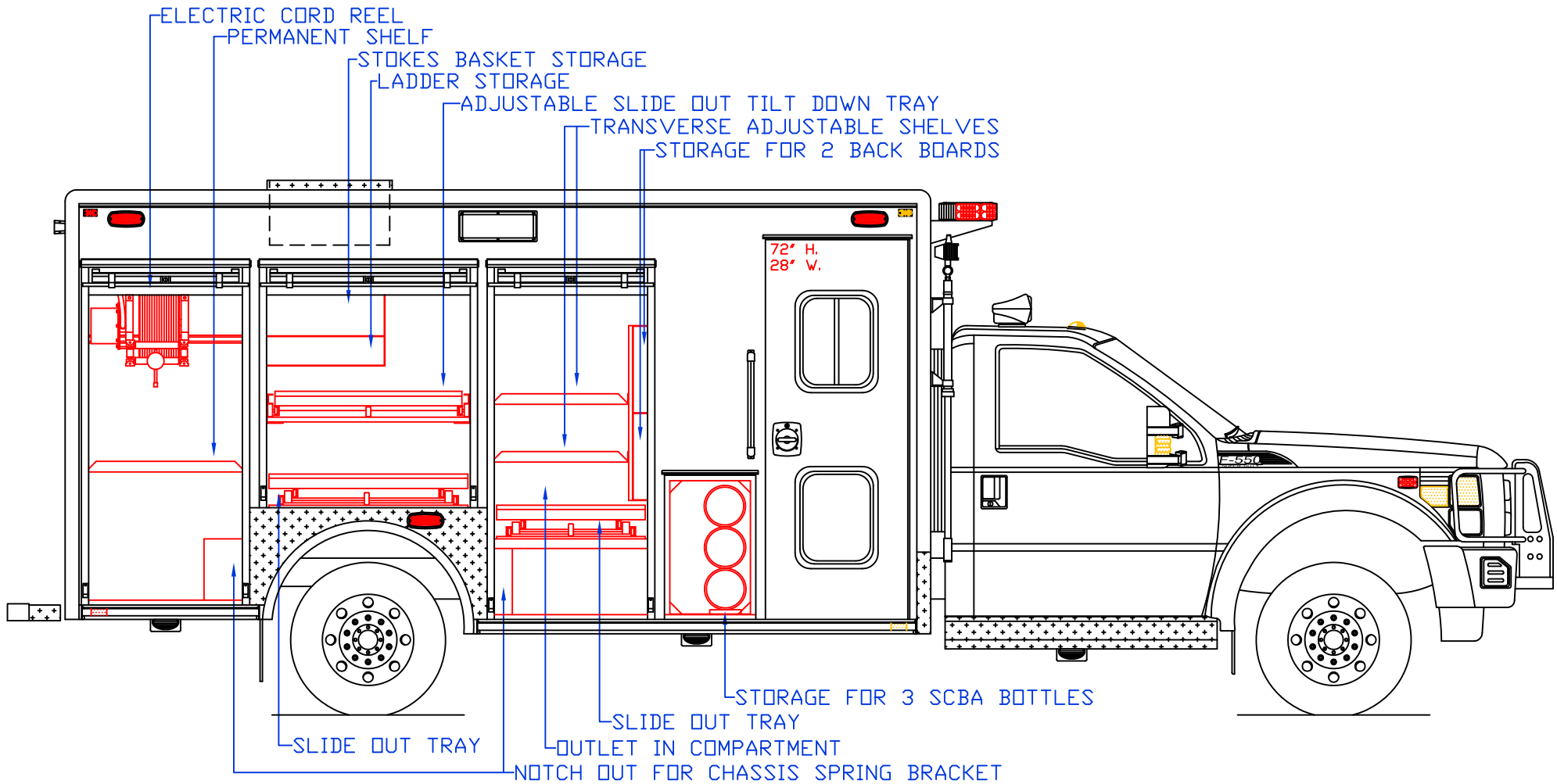
CUSTOMER APPROVED BY: _____



Maintainer Custom Bodies, Inc.
 909 South East Street
 Rock Rapids, IA 51246
 (800) 843-4288 Toll Free
 (712) 472-4725 Phone

VEHICLE TYPE: RESCUE	CHASSIS: FORD F-550 4X4
VIEW: STREETSIDE COMPARTMENT LAYOUT	BODY MAT'L: ALUMINUM
SCALE: NTS	BODY LENGTH: 180"
DRAWN BY: NRW	APPROVED BY:
DATE: 11/6/2014	BODY STYLE:
DWG NO.: EASTGRANDFORKSFIREDEPT	REVISION:

PROPOSAL FOR: EAST GRAND FORKS FIRE DEPARTMENT



Maintainer Custom Bodies, Inc.
 909 South East Street
 Rock Rapids, IA 51246
 (800) 843-4288 Toll Free
 (712) 472-4725 Phone

PROPOSAL FOR: EAST GRAND FORKS FIRE DEPARTMENT

CUSTOMER APPROVED BY:	
VEHICLE TYPE: RESCUE	CHASSIS: FORD F-550 4X4
VIEW: CURBSIDE COMPARTMENT LAYOUT	BODY MAT'L: ALUMINUM
SCALE: NTS	BODY LENGTH: 180"
DRAWN BY: NRW	APPROVED BY:
DATE: 11/6/2014	BODY STYLE:
DWG NO.: EASTGRANDFORKSFIREDEPT	REVISION: