

WARD APPARATUS

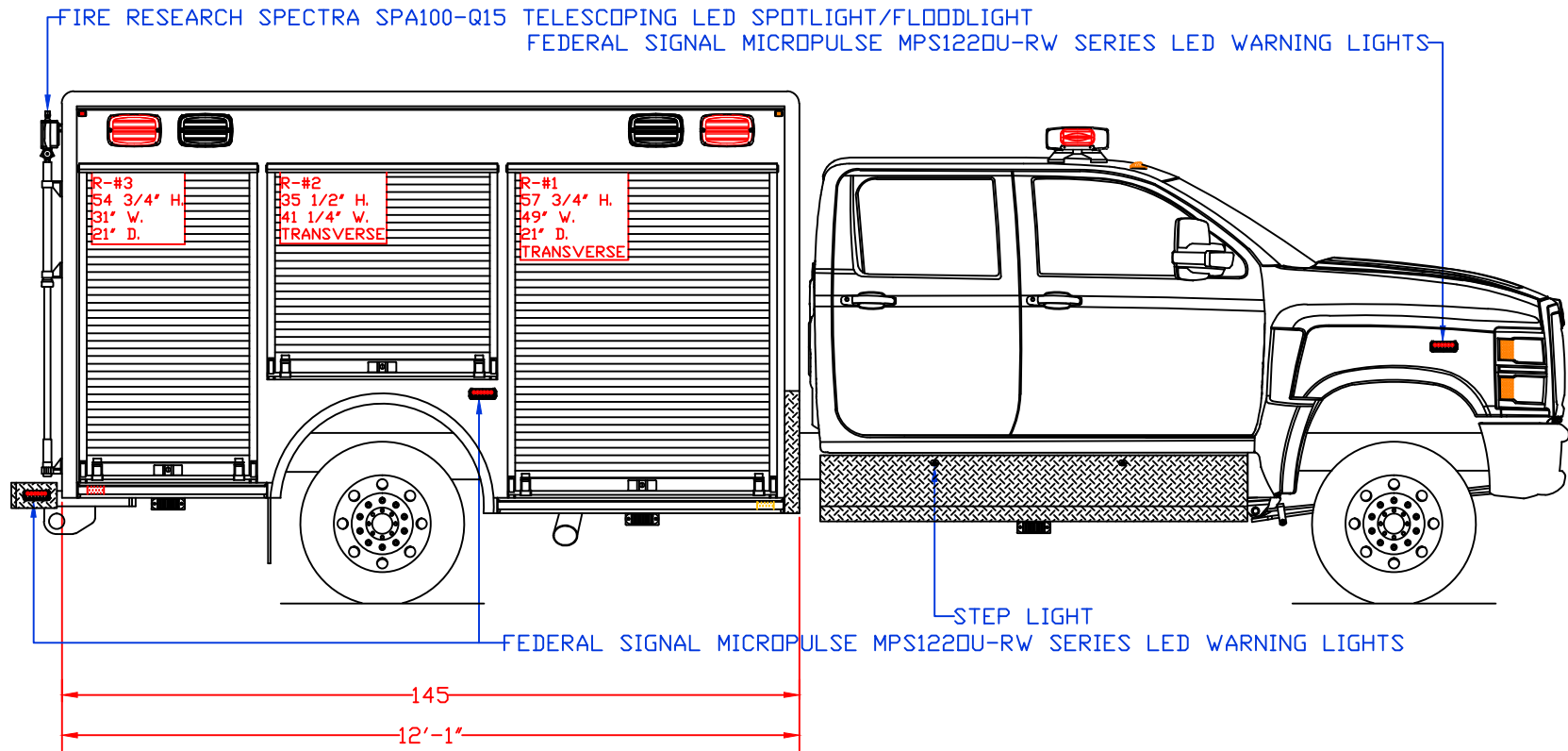
1250 SCHWEIZER ROAD PHONE (607) 796-0149
HORSEHEADS, NY 14845 FAX (607) 739-7092

CUSTOMER APPROVED BY:

VEHICLE TYPE: RESCUE	CHASSIS: INTERNATIONAL CV515 SFA CREW CAB 4X4
VIEW: STREETSIDE	BODY MAT'L: ALUMINUM
SCALE: NTS	BODY LENGTH: 145"
DRAWN BY: NRW	APPROVED BY:
DATE: 3/24/2022	BODY STYLE:
DWG NO.: 2022STOCK12FTRESCUE-CVCHASSIS	REVISION:

2022 STOCK 12' RESCUE-INTERNATIONAL CV CHASSIS

NOTE: ALL DIMENSIONS ARE APPROXIMATE



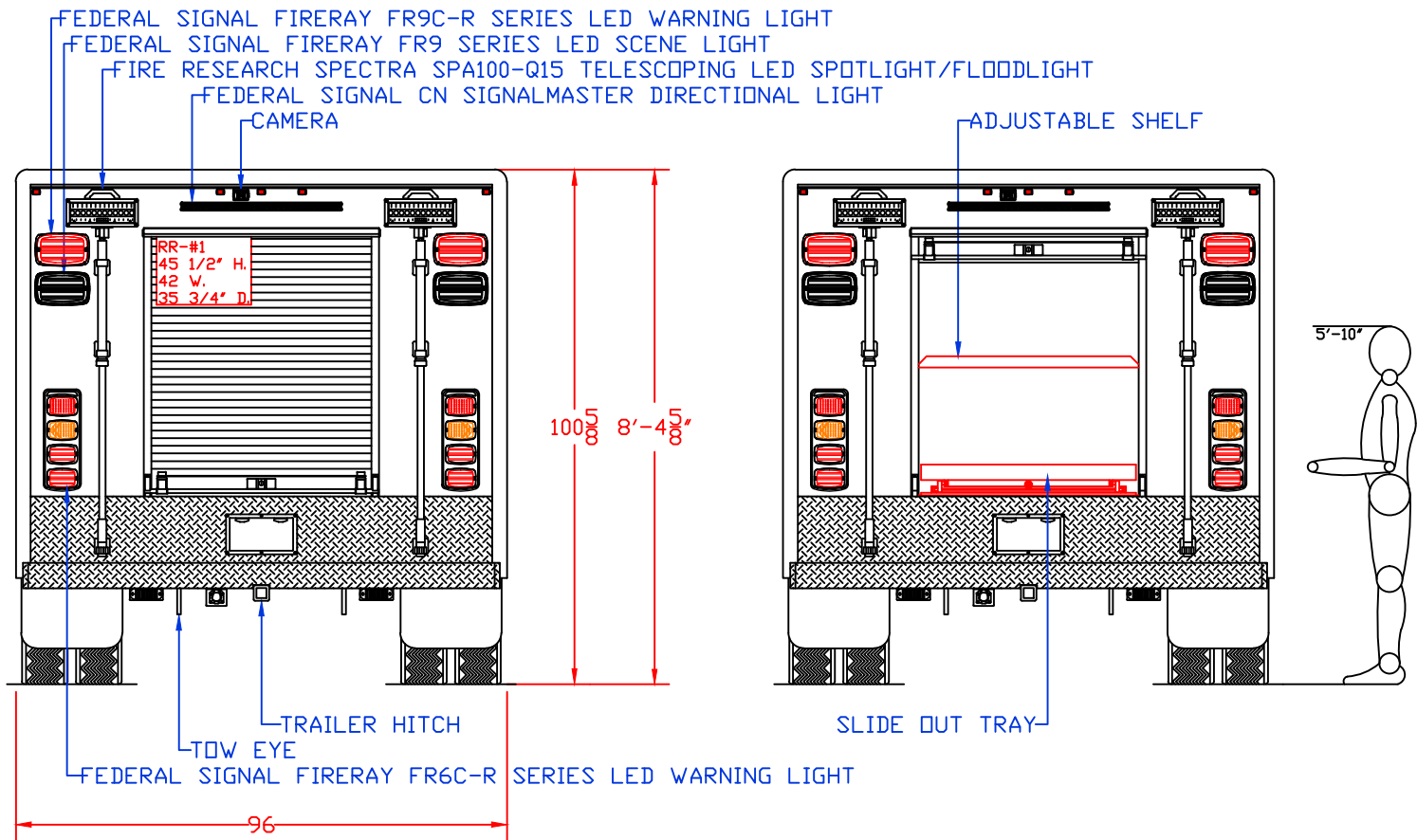
WARD APPARATUS
 1250 SCHWEIZER ROAD PHONE (607) 796-0149
 HORSEHEADS, NY 14845 FAX (607) 739-7092

CUSTOMER APPROVED BY:

VEHICLE TYPE: RESCUE	CHASSIS: INTERNATIONAL CV515 SFA CREW CAB 4X4
VIEW: CURBSIDE	BODY MAT'L: ALUMINUM
SCALE: NTS	BODY LENGTH: 145"
DRAWN BY: NRW	APPROVED BY:
DATE: 3/24/2022	BODY STYLE:
DWG NO.: 2022STOCK12FTRESCUE-CVCHASSIS	REVISION:

2022 STOCK 12' RESCUE-INTERNATIONAL CV CHASSIS

NOTE: ALL DIMENSIONS ARE APPROXIMATE

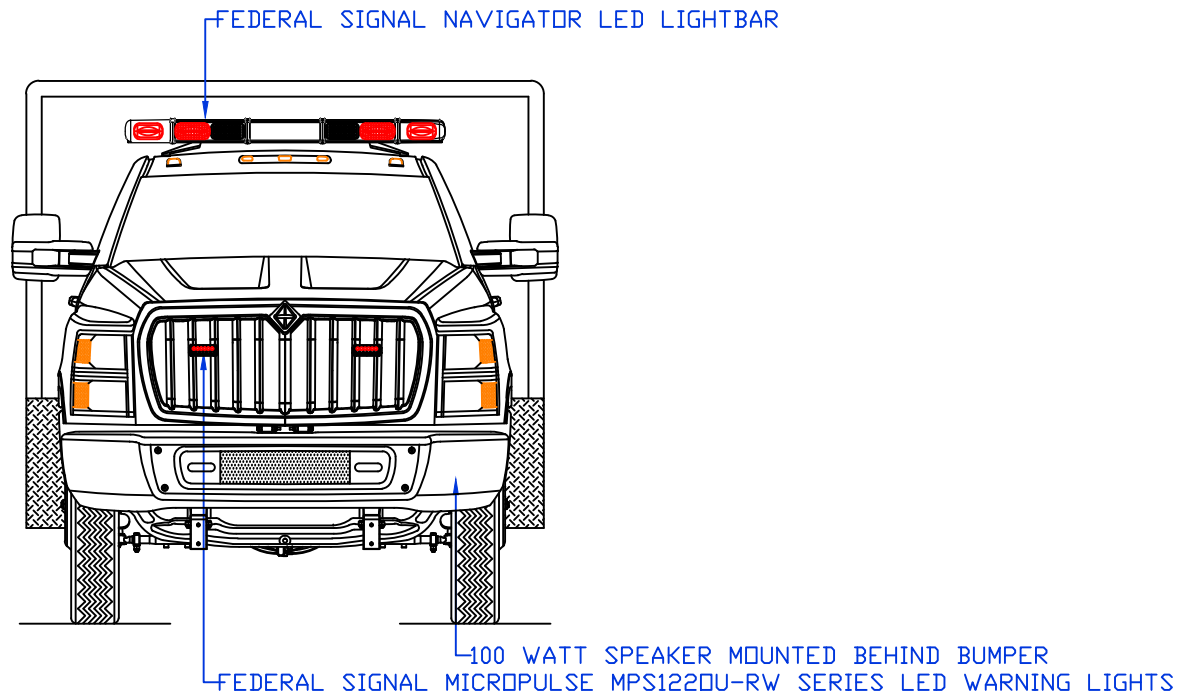


WARD APPARATUS
 1250 SCHWEIZER ROAD PHONE (607) 796-0149
 HORSEHEADS, NY 14845 FAX (607) 739-7092

CUSTOMER APPROVED BY:	
VEHICLE TYPE: RESCUE	CHASSIS: INTERNATIONAL CV515 SFA CREW CAB 4X4
VIEW: REAR & REAR COMPARTMENT LAYOUT	BODY MAT'L: ALUMINUM
SCALE: NTS	BODY LENGTH: 145"
DRAWN BY: NRW	APPROVED BY:
DATE: 3/24/2022	BODY STYLE:
DWG NO.: 2022STOCK12FTRESCUE-CVCHASSIS	REVISION:

2022 STOCK 12' RESCUE-INTERNATIONAL CV CHASSIS

NOTE: ALL DIMENSIONS ARE APPROXIMATE



WARD APPARATUS

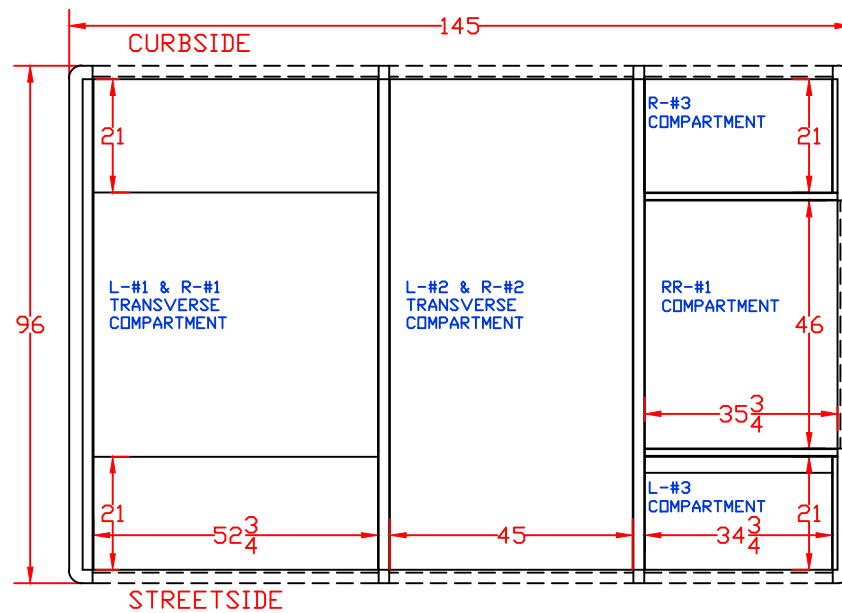
1250 SCHWEIZER ROAD PHONE (607) 796-0149
 HORSEHEADS, NY 14845 FAX (607) 739-7092

CUSTOMER APPROVED BY:

VEHICLE TYPE: RESCUE	CHASSIS: INTERNATIONAL CV515 SFA CREW CAB 4X4
VIEW: FRONT	BODY MAT'L: ALUMINUM
SCALE: NTS	BODY LENGTH: 145"
DRAWN BY: NRW	APPROVED BY:
DATE: 3/24/2022	BODY STYLE:
DWG NO.: 2022STOCK12FTRESCUE-CVCHASSIS	REVISION:

2022 STOCK 12' RESCUE-INTERNATIONAL CV CHASSIS

NOTE: ALL DIMENSIONS ARE APPROXIMATE



WARD APPARATUS

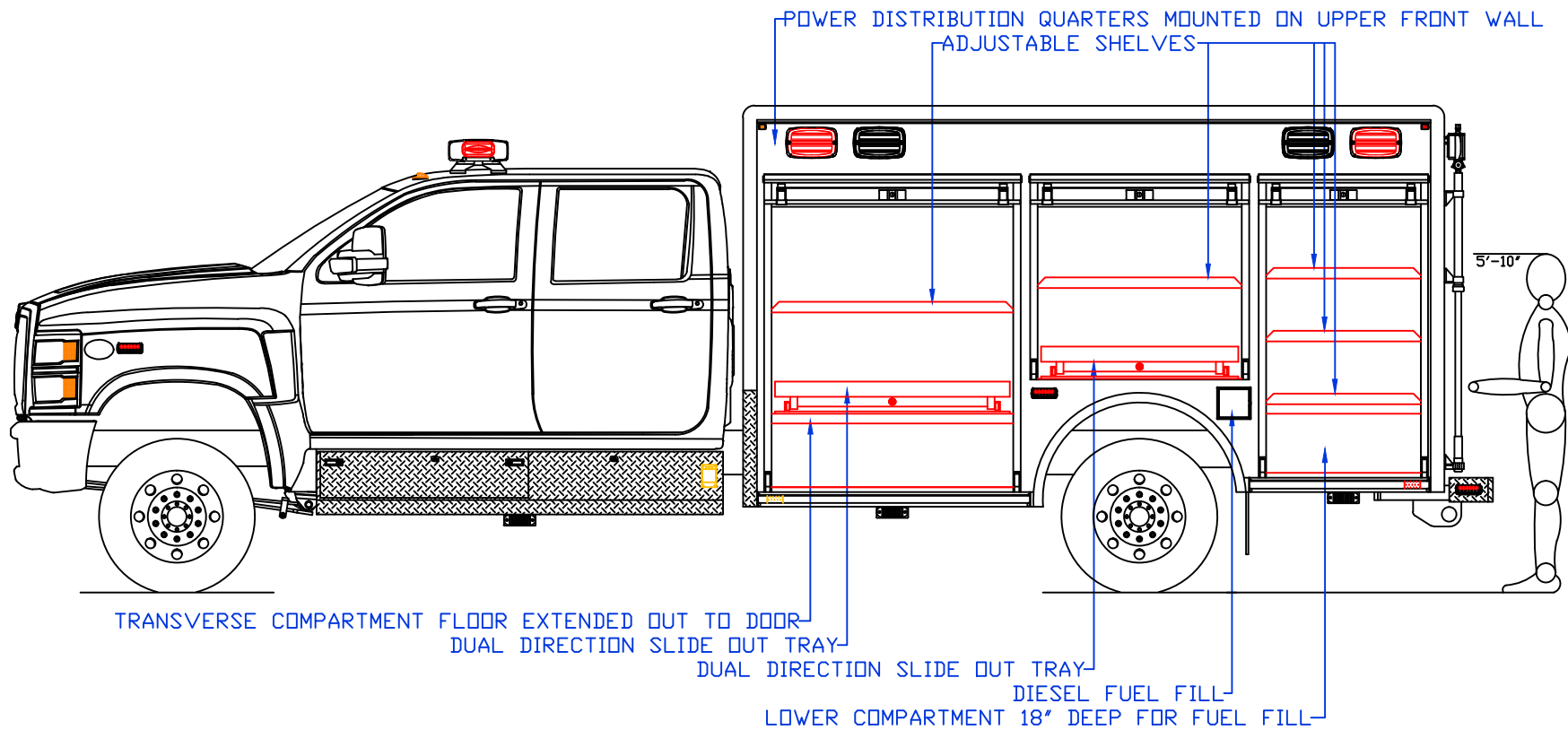
1250 SCHWEIZER ROAD PHONE (607) 796-0149
 HORSEHEADS, NY 14845 FAX (607) 739-7092

CUSTOMER APPROVED BY:

VEHICLE TYPE: RESCUE	CHASSIS: INTERNATIONAL CV515 SFA CREW CAB 4X4
VIEW: TOP	BODY MAT'L: ALUMINUM
SCALE: NTS	BODY LENGTH: 145"
DRAWN BY: NRW	APPROVED BY:
DATE: 3/24/2022	BODY STYLE:
DWG NO.: 2022STOCK12FTRESCUE-CVCHASSIS	REVISION:

2022 STOCK 12' RESCUE-INTERNATIONAL CV CHASSIS

NOTE: ALL DIMENSIONS ARE APPROXIMATE



WARD APPARATUS

1250 SCHWEIZER ROAD PHONE (607) 796-0149
 HORSEHEADS, NY 14845 FAX (607) 739-7092

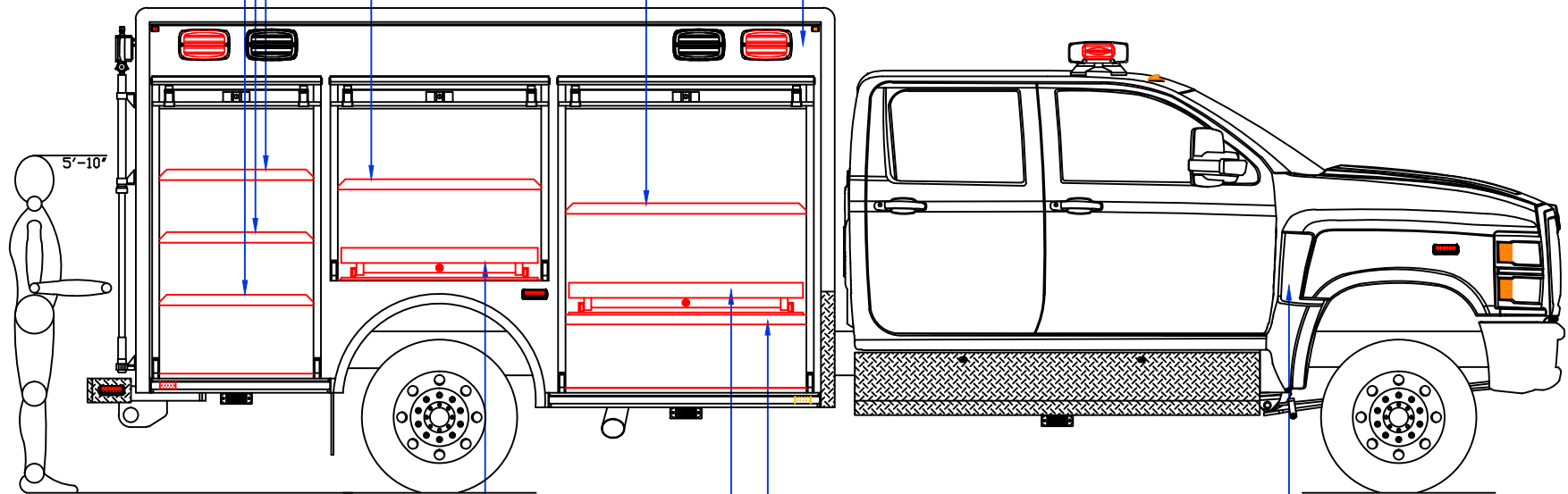
CUSTOMER APPROVED BY:

VEHICLE TYPE: RESCUE	CHASSIS: INTERNATIONAL CV515 SFA CREW CAB 4X4
VIEW: STREETSIDE COMPARTMENT LAYOUT	BODY MAT'L: ALUMINUM
SCALE: NTS	BODY LENGTH: 145"
DRAWN BY: NRW	APPROVED BY:
DATE: 3/24/2022	BODY STYLE:
DWG NO.: 2022STOCK12FTRESCUE-CVCHASSIS	REVISION:

2022 STOCK 12' RESCUE-INTERNATIONAL CV CHASSIS

NOTE: ALL DIMENSIONS ARE APPROXIMATE

POWER DISTRIBUTION QUARTERS MOUNTED ON UPPER FRONT WALL
ADJUSTABLE SHELVES



DIESEL EXHAUST FLUID FILL
TRANSVERSE COMPARTMENT FLOOR EXTENDED OUT TO DOOR
DUAL DIRECTION SLIDE OUT TRAYS



WARD APPARATUS

1250 SCHWEIZER ROAD PHONE (607) 796-0149
HORSEHEADS, NY 14845 FAX (607) 739-7092

2022 STOCK 12' RESCUE-INTERNATIONAL CV CHASSIS

CUSTOMER APPROVED BY:

VEHICLE TYPE: RESCUE	CHASSIS: INTERNATIONAL CV515 SFA CREW CAB 4X4
VIEW: CURBSIDE COMPARTMENT LAYOUT	BODY MAT'L: ALUMINUM
SCALE: NTS	BODY LENGTH: 145"
DRAWN BY: NRW	APPROVED BY:
DATE: 3/24/2022	BODY STYLE:
DWG NO.: 2022STOCK12FTRESCUE-CVCHASSIS	REVISION:

NOTE: ALL DIMENSIONS ARE APPROXIMATE