

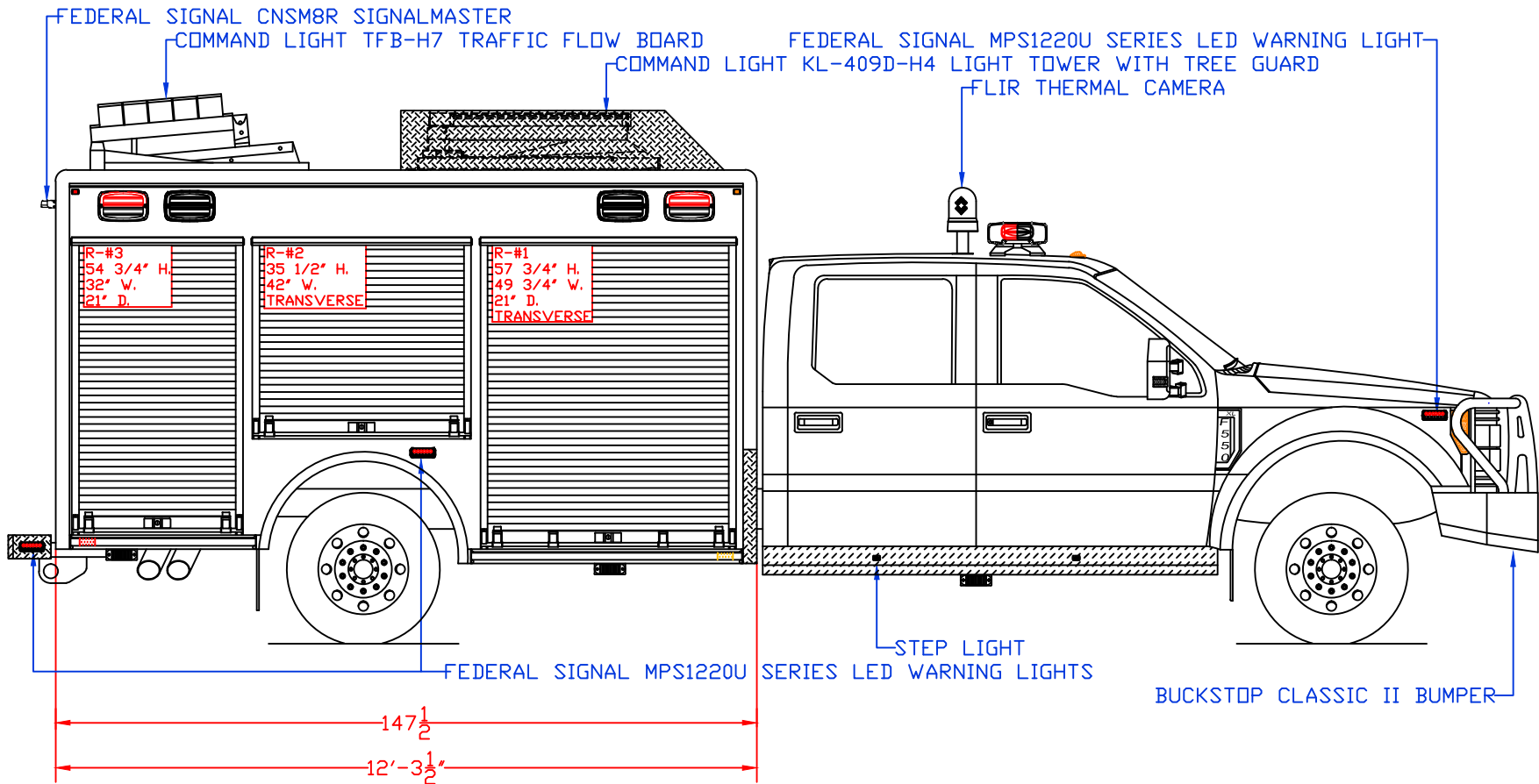
Maintainer *Custom Bodies, Inc.*
 909 South East Street
 Rock Rapids, IA 51246
 (800) 843-4288 Toll Free
 (712) 472-4725

mcbfire.com

CUSTOMER APPROVED BY:		PAINT CODE:
VEHICLE TYPE: RESCUE	CHASSIS: FORD F-550 CREW CAB 4X4	
VIEW: STREETSIDE	BODY MAT'L: ALUMINUM	
SCALE: NTS	BODY LENGTH: 147 1/2"	
DRAWN BY: NRW	APPROVED BY:	
DATE: 12/11/2019	BODY STYLE:	
DWG NO.: OTSEGOCEMS	REVISION:	

OTSEGO COUNTY EMS RESCUE

NOTE: ALL DIMENSIONS ARE APPROXIMATE



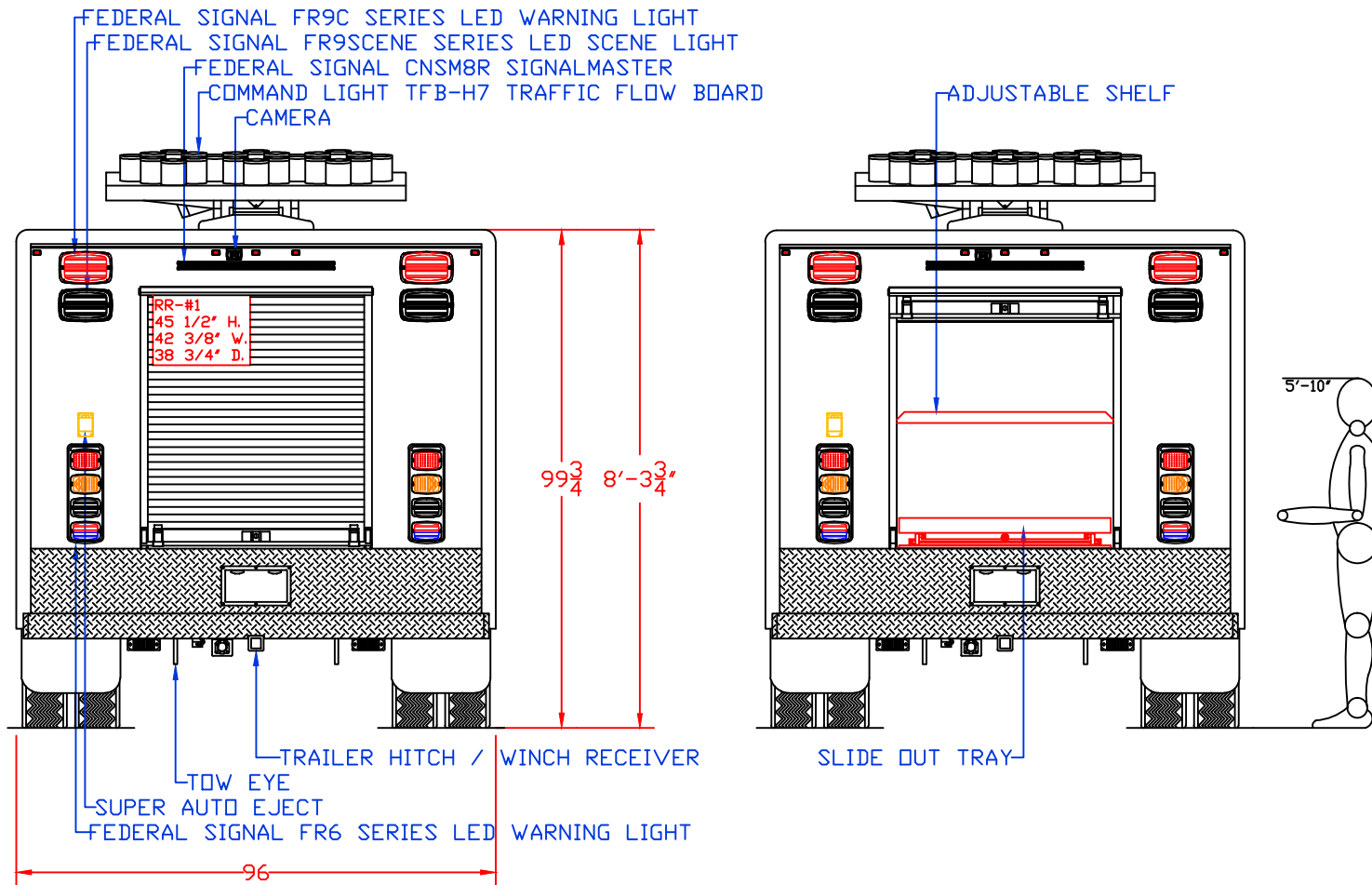
Maintainer *Custom Bodies, Inc.*
 909 South East Street
 Rock Rapids, IA 51246

mcbfire.com
 (800) 843-4288 Toll Free
 (712) 472-4725

OTSEGO COUNTY EMS RESCUE

CUSTOMER APPROVED BY:		PAINT CODE:	
VEHICLE TYPE: RESCUE	CHASSIS: FORD F-550 CREW CAB 4X4	BODY MAT'L: ALUMINUM	
VIEW: CURBSIDE	SCALE: NTS	BODY LENGTH: 147 1/2"	
DATE: 12/11/2019	DRAWN BY: NRW	APPROVED BY:	
DWG NO.: OTSEGOC0EMS	DATE:	BODY STYLE:	
	REVISION:		

NOTE: ALL DIMENSIONS ARE APPROXIMATE



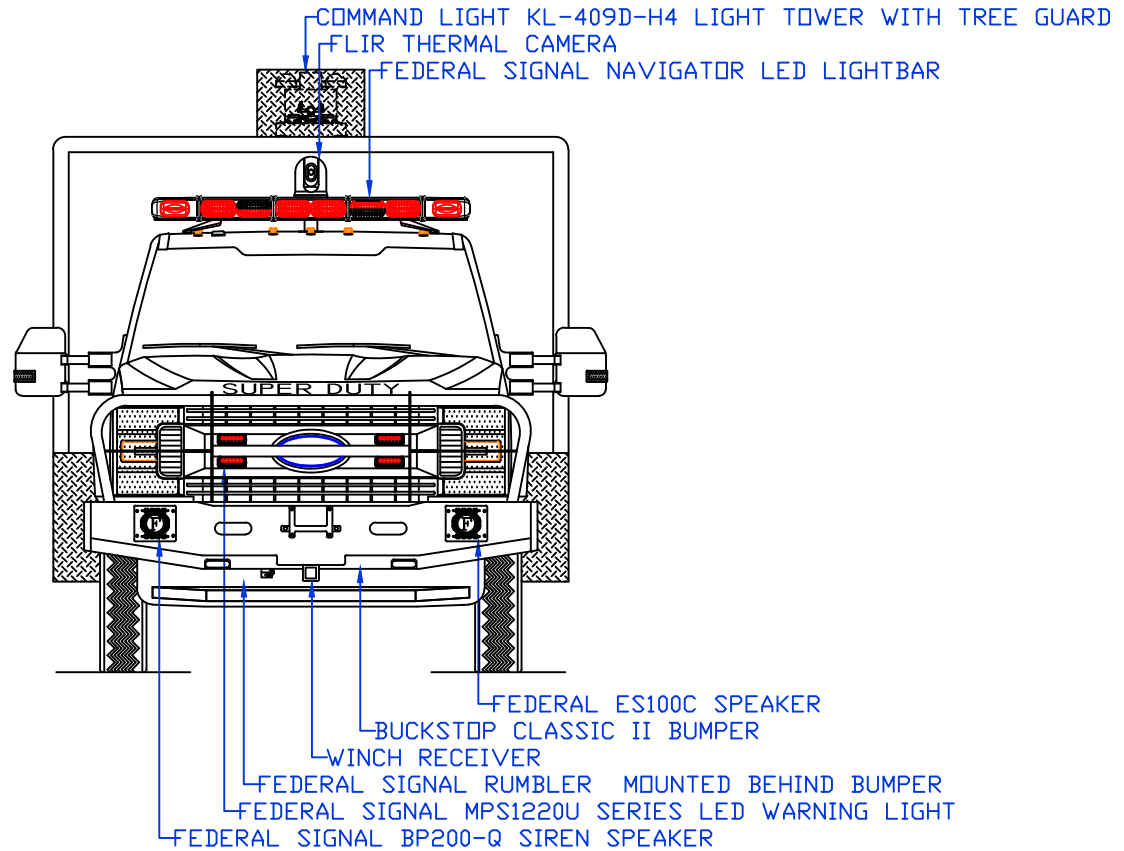
Maintainer *mcbfire.com*
Custom Bodies, Inc.
 909 South East Street (800) 843-4288 Toll Free
 Rock Rapids, IA 51246 (712) 472-4725

CUSTOMER APPROVED BY: _____ PAINT CODE: _____

VEHICLE TYPE: RESCUE	CHASSIS: FORD F-550 CREW CAB 4X4
VIEW: REAR & REAR COMPARTMENT LAYOUT	BODY MAT'L: ALUMINUM
SCALE: NTS	BODY LENGTH: 147 1/2"
DRAWN BY: NRW	APPROVED BY: _____
DATE: 12/11/2019	BODY STYLE: _____
DWG NO.: OTSEGOCEMS	REVISION: _____

NOTE: ALL DIMENSIONS ARE APPROXIMATE

OTSEGO COUNTY EMS RESCUE



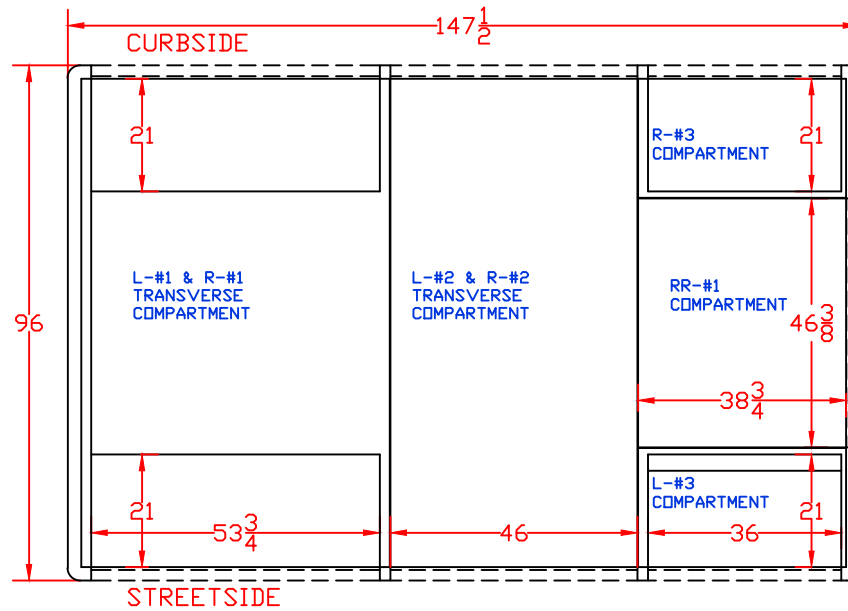
Maintainer *Custom Bodies, Inc.*
 909 South East Street
 Rock Rapids, IA 51246

mcbfire.com
 (800) 843-4288 Toll Free
 (712) 472-4725

CUSTOMER APPROVED BY:		PAINT CODE:
VEHICLE TYPE: RESCUE	CHASSIS: FORD F-550 CREW CAB 4X4	BODY MAT'L: ALUMINUM
VIEW: FRONT	SCALE: NTS	BODY LENGTH: 147 1/2"
DRAWN BY: NRW	DATE: 12/11/2019	APPROVED BY:
DWG NO.: OTSEGOCEMS		BODY STYLE:
		REVISION:

OTSEGO COUNTY EMS RESCUE

NOTE: ALL DIMENSIONS ARE APPROXIMATE



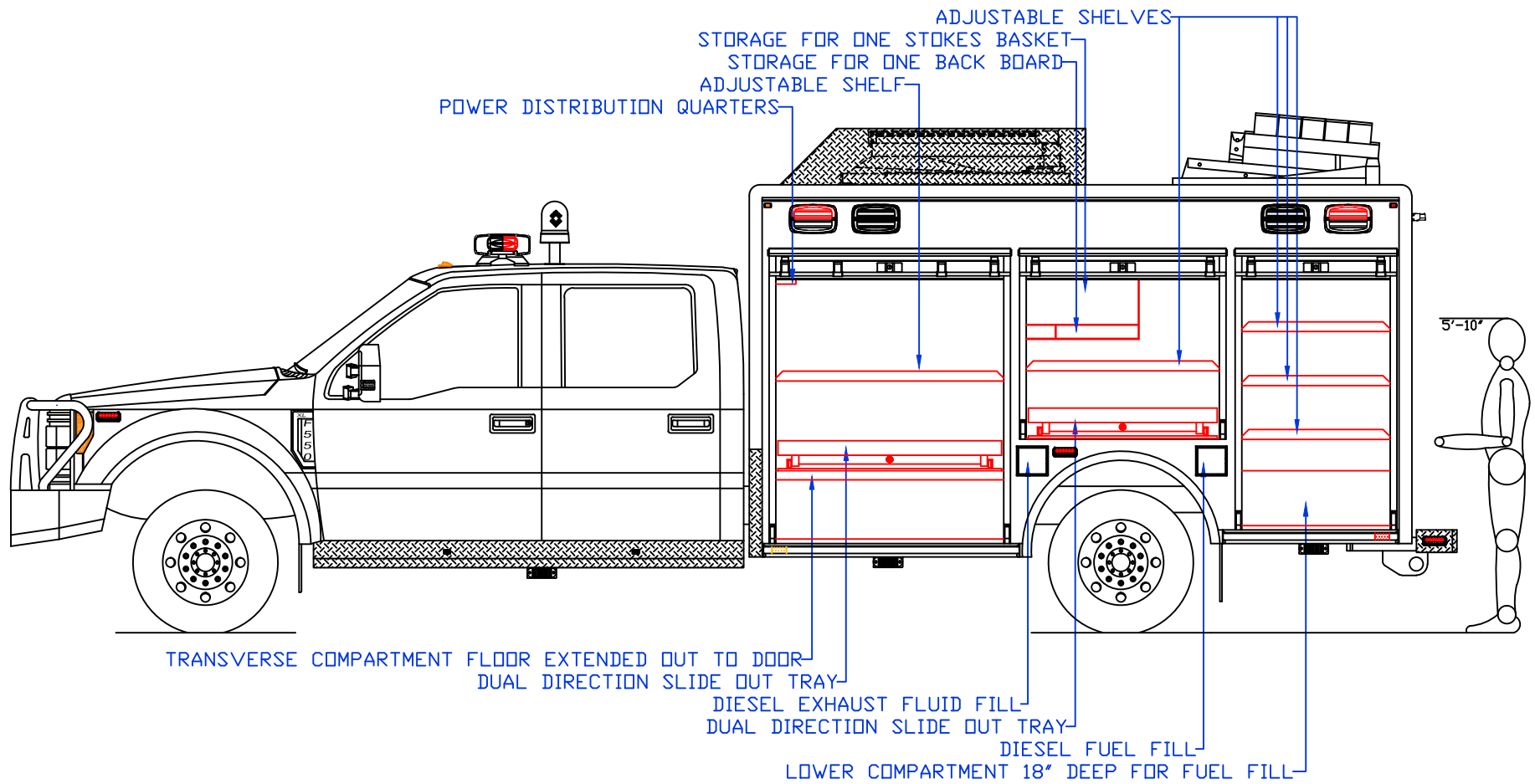
Maintainer mcbfire.com
Custom Bodies, Inc.
 909 South East Street (800) 843-4288 Toll Free
 Rock Rapids, IA 51246 (712) 472-4725

CUSTOMER APPROVED BY: _____ PAINT CODE: _____

VEHICLE TYPE: RESCUE	CHASSIS: FORD F-550 CREW CAB 4X4
VIEW: TOP	BODY MAT'L: ALUMINUM
SCALE: NTS	BODY LENGTH: 147 1/2"
DRAWN BY: NRW	APPROVED BY:
DATE: 12/11/2019	BODY STYLE:
DWG NO.: OTSEGOCEMS	REVISION:

OTSEGO COUNTY EMS RESCUE

NOTE: ALL DIMENSIONS ARE APPROXIMATE

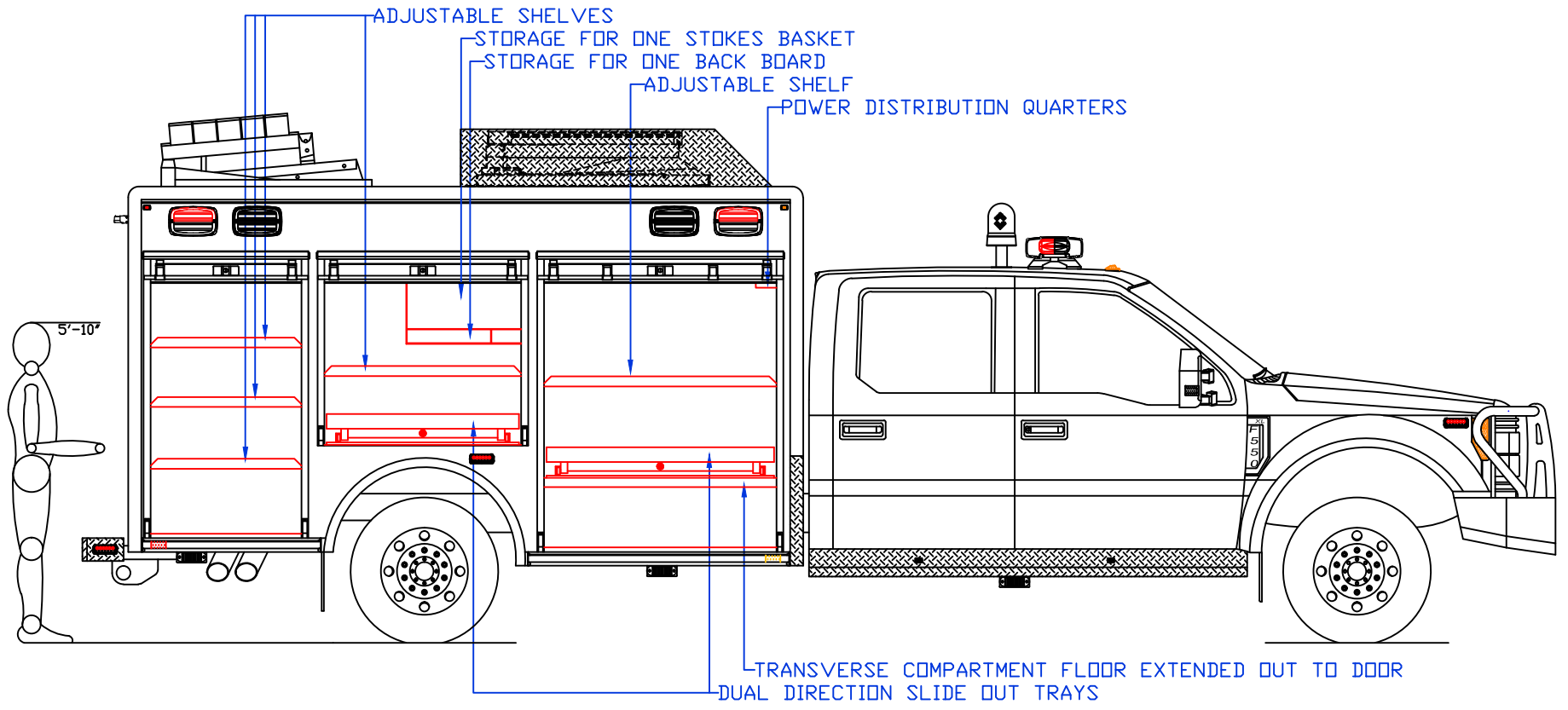


Maintainer Custom Bodies, Inc.
 909 South East Street
 Rock Rapids, IA 51246
 mcbfire.com
 (800) 843-4288 Toll Free
 (712) 472-4725

CUSTOMER APPROVED BY:		PAINT CODE:
VEHICLE TYPE: RESCUE	CHASSIS: FORD F-550 CREW CAB 4X4	BODY MAT'L: ALUMINUM
VIEW: STREETSIDE COMPARTMENT LAYOUT	BODY LENGTH: 147 1/2"	APPROVED BY:
SCALE: NTS	BODY STYLE:	REVISION:
DRAWN BY: NRW	DATE: 12/11/2019	
DWG NO.: OTSEGOCOEMS		

NOTE: ALL DIMENSIONS ARE APPROXIMATE

OTSEGO COUNTY EMS RESCUE



Maintainer *Custom Bodies, Inc.*
 909 South East Street
 Rock Rapids, IA 51246
 mcbfire.com
 (800) 843-4288 Toll Free
 (712) 472-4725

CUSTOMER APPROVED BY: _____ PAINT CODE: _____

VEHICLE TYPE: RESCUE	CHASSIS: FORD F-550 CREW CAB 4X4
VIEW: CURBSIDE COMPARTMENT LAYOUT	BODY MAT'L: ALUMINUM
SCALE: NTS	BODY LENGTH: 147 1/2"
DRAWN BY: NRW	APPROVED BY: _____
DATE: 12/11/2019	BODY STYLE: _____
DWG NO.: OTSEGOEOMS	REVISION: _____

OTSEGO COUNTY EMS RESCUE

NOTE: ALL DIMENSIONS ARE APPROXIMATE