

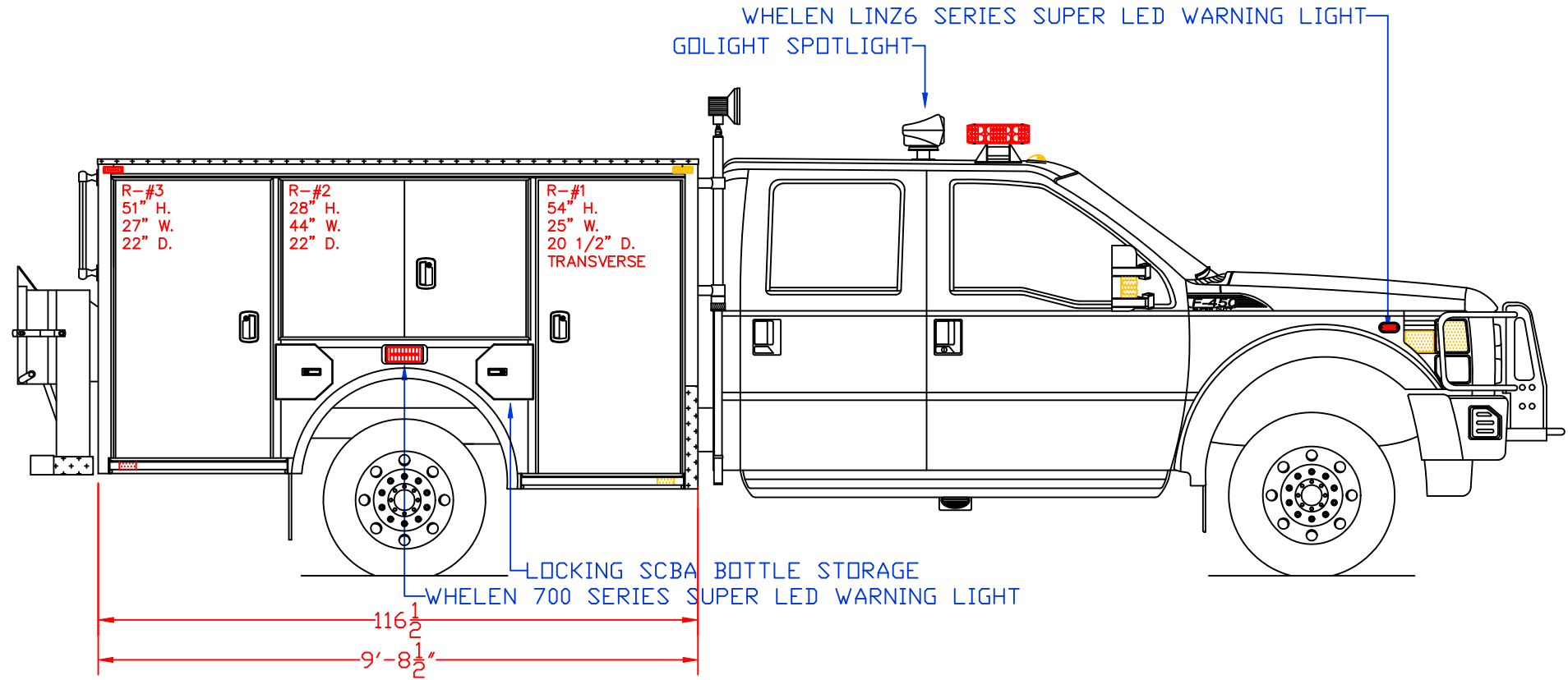
**Maintainer Custom Bodies, Inc.**

909 So. East St. 800-843-4288 Toll Free  
 Rock Rapids, Ia. 51246 712-472-4725 Phone

CUSTOMER APPROVED BY: \_\_\_\_\_

VEHICLE TYPE: HAZMAT	CHASSIS: FORD F-450 4 DOOR 4X4
VIEW: STREETSIDE	BODY MAT'L: ALUMINUM
SCALE: NTS	BODY LENGTH: 116 1/2"
DRAWN BY: NRW	APPROVED BY: MP
DATE: 10/17/2012	BODY STYLE:
DWG NO.: SANBERNARDINOCNTY	REVISION:

PROPOSAL FOR: SAN BERNARDINO COUNTY

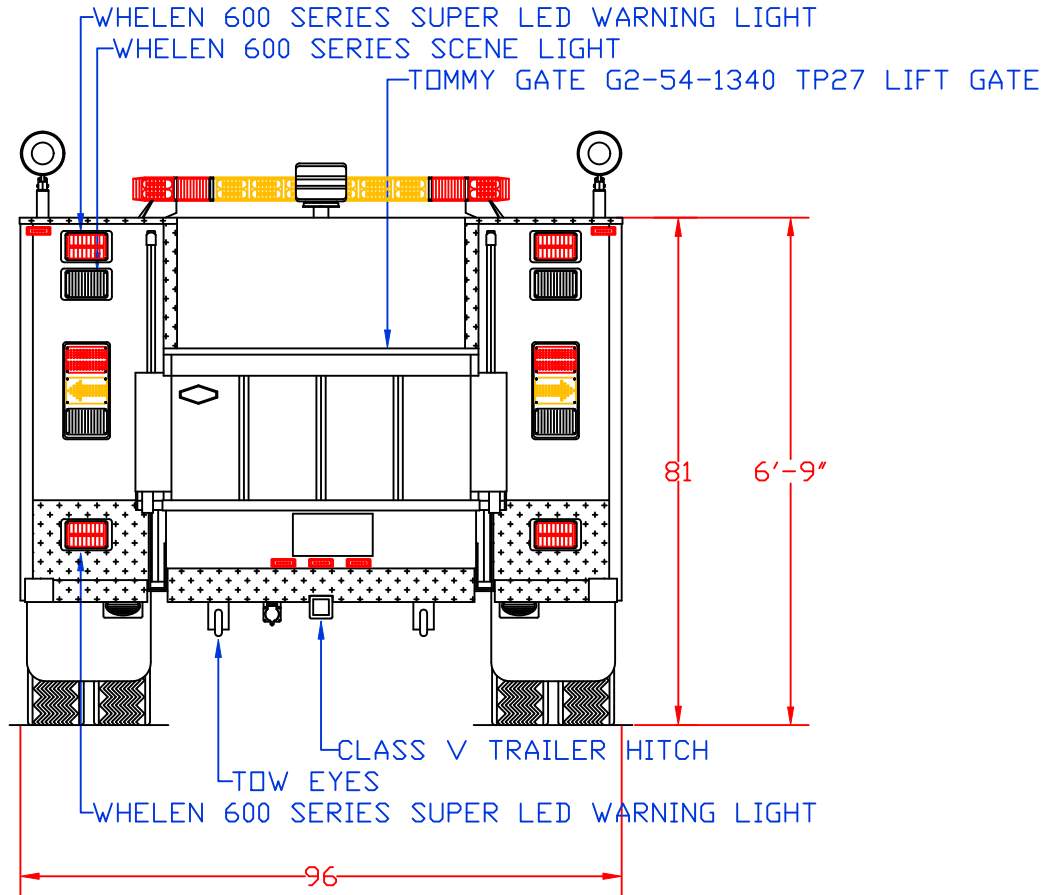


CUSTOMER APPROVED BY: \_\_\_\_\_

VEHICLE TYPE: HAZMAT	CHASSIS: FORD F-450 4 DOOR 4X4
VIEW: CURBSIDE	BODY MAT'L: ALUMINUM
SCALE: NTS	BODY LENGTH: 116 1/2"
DRAWN BY: NRW	APPROVED BY: MP
DATE: 10/17/2012	BODY STYLE:
DWG NO.: SANBERNARDINOCNTY	REVISION:

**Maintainer Custom Bodies, Inc.**  
 909 So. East St. 800-843-4288 Toll Free  
 Rock Rapids, Ia. 51246 712-472-4725 Phone

PROPOSAL FOR: SAN BERNARDINO COUNTY



CUSTOMER APPROVED BY:

VEHICLE TYPE:HAZMAT

CHASSIS: FORD F-450 4 DOOR 4X4

VIEW: REAR

BODY MAT'L: ALUMINUM

SCALE: NTS

BODY LENGTH:116 1/2"

DRAWN BY: NRW

APPROVED BY:MP

DATE: 10/17/2012

BODY STYLE:

DWG NO.: SANBERNARDINOCNTY

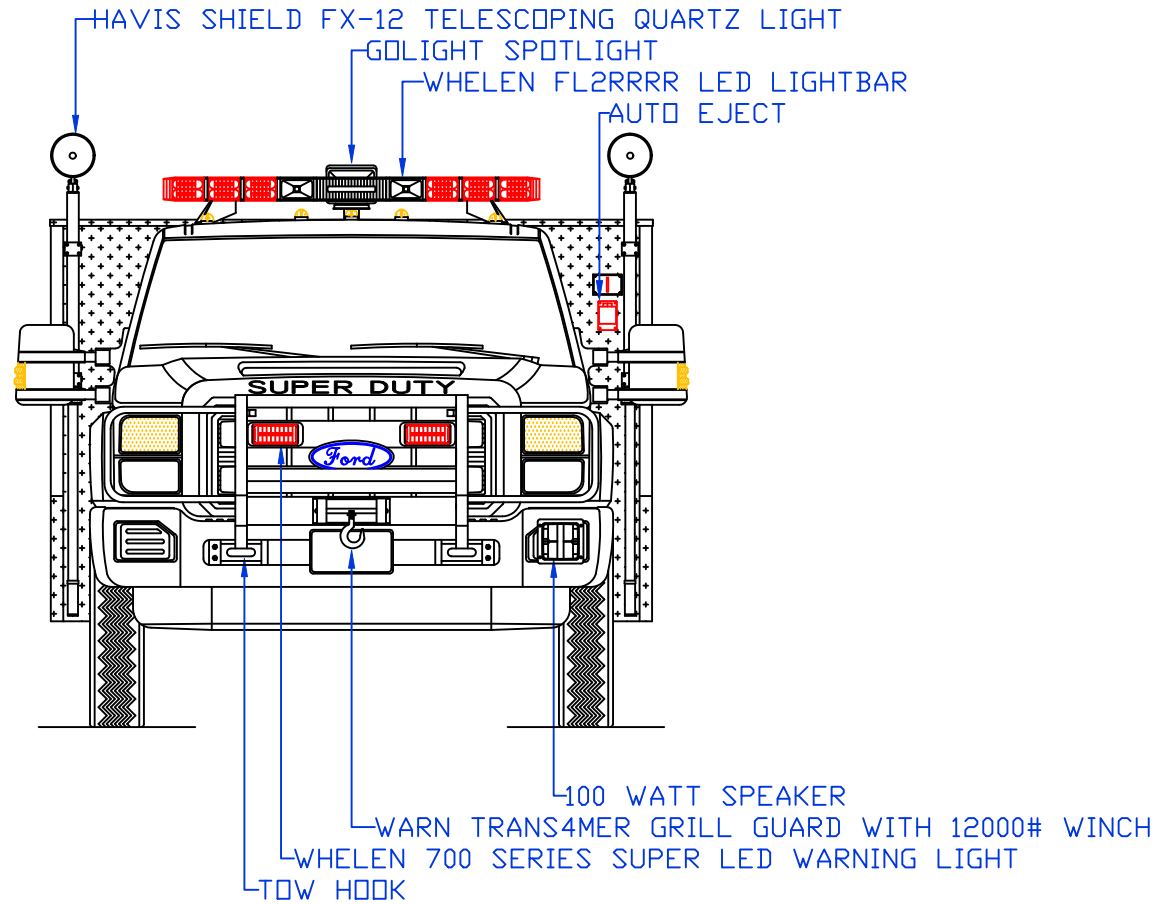
REVISION:

**Maintainer Custom Bodies, Inc.**

909 So. East St.  
 Rock Rapids, Ia. 51246

800-843-4288 Toll Free  
 712-472-4725 Phone

PROPOSAL FOR: SAN BERNARDINO COUNTY

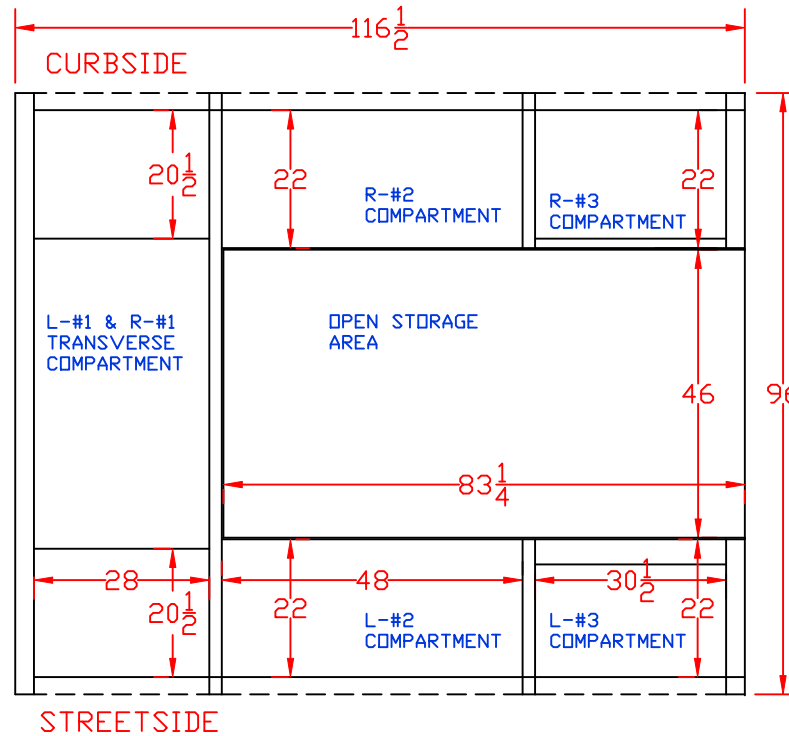


**Maintainer Custom Bodies, Inc.**  
 909 So. East St. 800-843-4288 Toll Free  
 Rock Rapids, Ia. 51246 712-472-4725 Phone

**CUSTOMER APPROVED BY:**

VEHICLE TYPE: HAZMAT	CHASSIS: FORD F-450 4 DOOR 4X4
VIEW: FRONT	BODY MAT'L: ALUMINUM
SCALE: NTS	BODY LENGTH: 116 1/2"
DRAWN BY: NRW	APPROVED BY: MP
DATE: 10/17/2012	BODY STYLE:
DWG NO.: SANBERNARDINOCNTY	REVISION:

PROPOSAL FOR: SAN BERNARDINO COUNTY

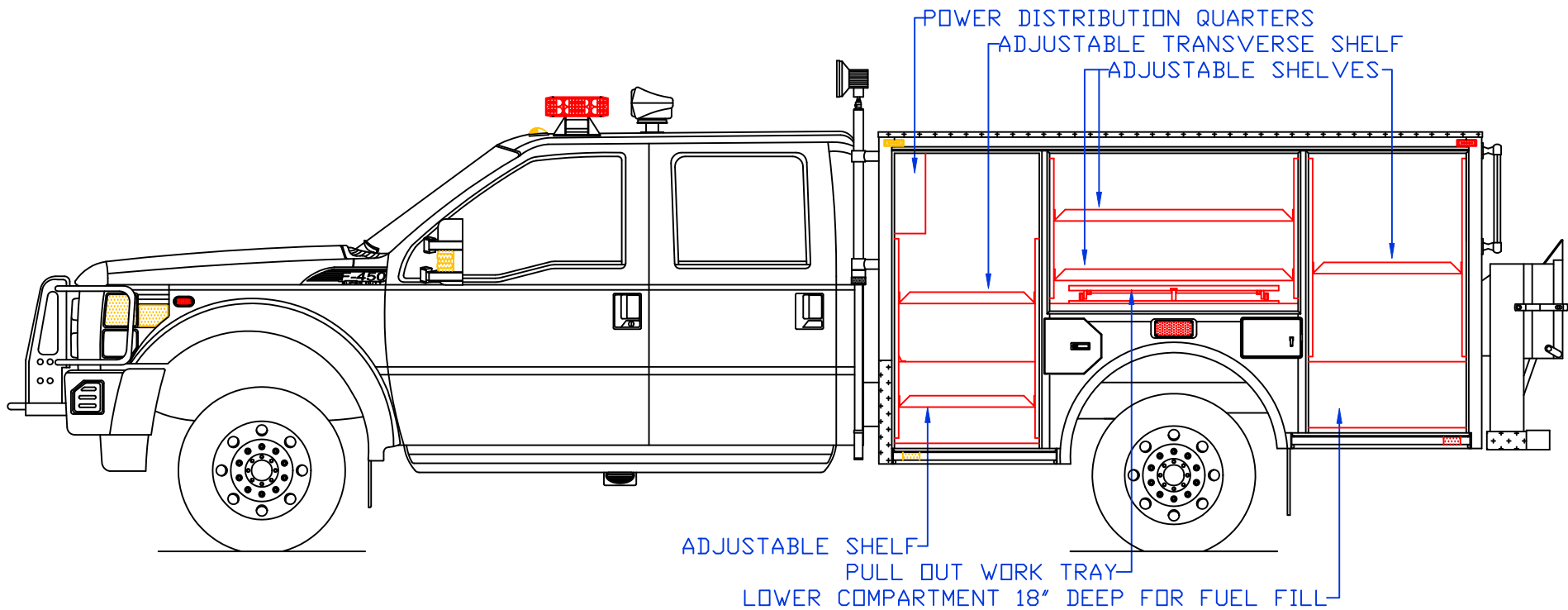


**Maintainer Custom Bodies, Inc.**  
 909 So. East St. 800-843-4288 Toll Free  
 Rock Rapids, Ia. 51246 712-472-4725 Phone

CUSTOMER APPROVED BY: \_\_\_\_\_

VEHICLE TYPE: HAZMAT	CHASSIS: FORD F-450 4 DOOR 4X4
VIEW: TOP	BODY MAT'L: ALUMINUM
SCALE: NTS	BODY LENGTH: 116 1/2"
DRAWN BY: NRW	APPROVED BY: MP
DATE: 10/17/2012	BODY STYLE:
DWG NO.: SANBERNARDINOCNTY	REVISION:

PROPOSAL FOR: SAN BERNARDINO COUNTY



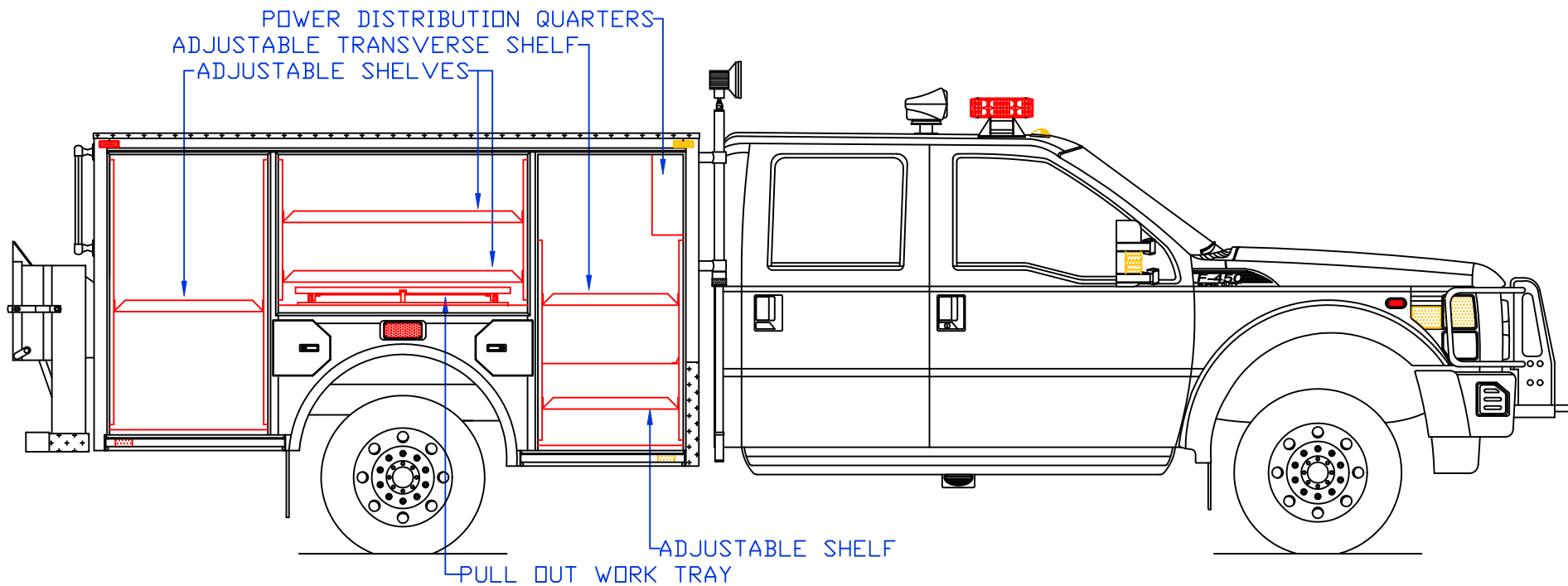
CUSTOMER APPROVED BY:

VEHICLE TYPE:HAZMAT	CHASSIS: FORD F-450 4 DOOR 4X4
VIEW: STREETSIDE COMPARTMENT LAYOUT	BODY MAT'L: ALUMINUM
SCALE: NTS	BODY LENGTH:116 1/2"
DRAWN BY: NRW	APPROVED BY:MP
DATE: 10/17/2012	BODY STYLE:
DWG NO.: SANBERNARDINOCNTY	REVISION:

**Maintainer Custom Bodies, Inc.**

909 So. East St. 800-843-4288 Toll Free  
 Rock Rapids, Ia. 51246 712-472-4725 Phone

PROPOSAL FOR: SAN BERNARDINO COUNTY



CUSTOMER APPROVED BY: \_\_\_\_\_

**Maintainer Custom Bodies, Inc.**

909 So. East St. 800-843-4288 Toll Free  
 Rock Rapids, Ia. 51246 712-472-4725 Phone

VEHICLE TYPE:HAZMAT	CHASSIS: FORD F-450 4 DOOR 4X4
VIEW: CURBSIDE COMPARTMENT LAYOUT	BODY MAT'L: ALUMINUM
SCALE: NTS	BODY LENGTH:116 1/2"
DRAWN BY: NRW	APPROVED BY:MP
DATE: 10/17/2012	BODY STYLE:
DWG NO.: SANBERNARDINOCNTY	REVISION:

PROPOSAL FOR: SAN BERNARDINO COUNTY