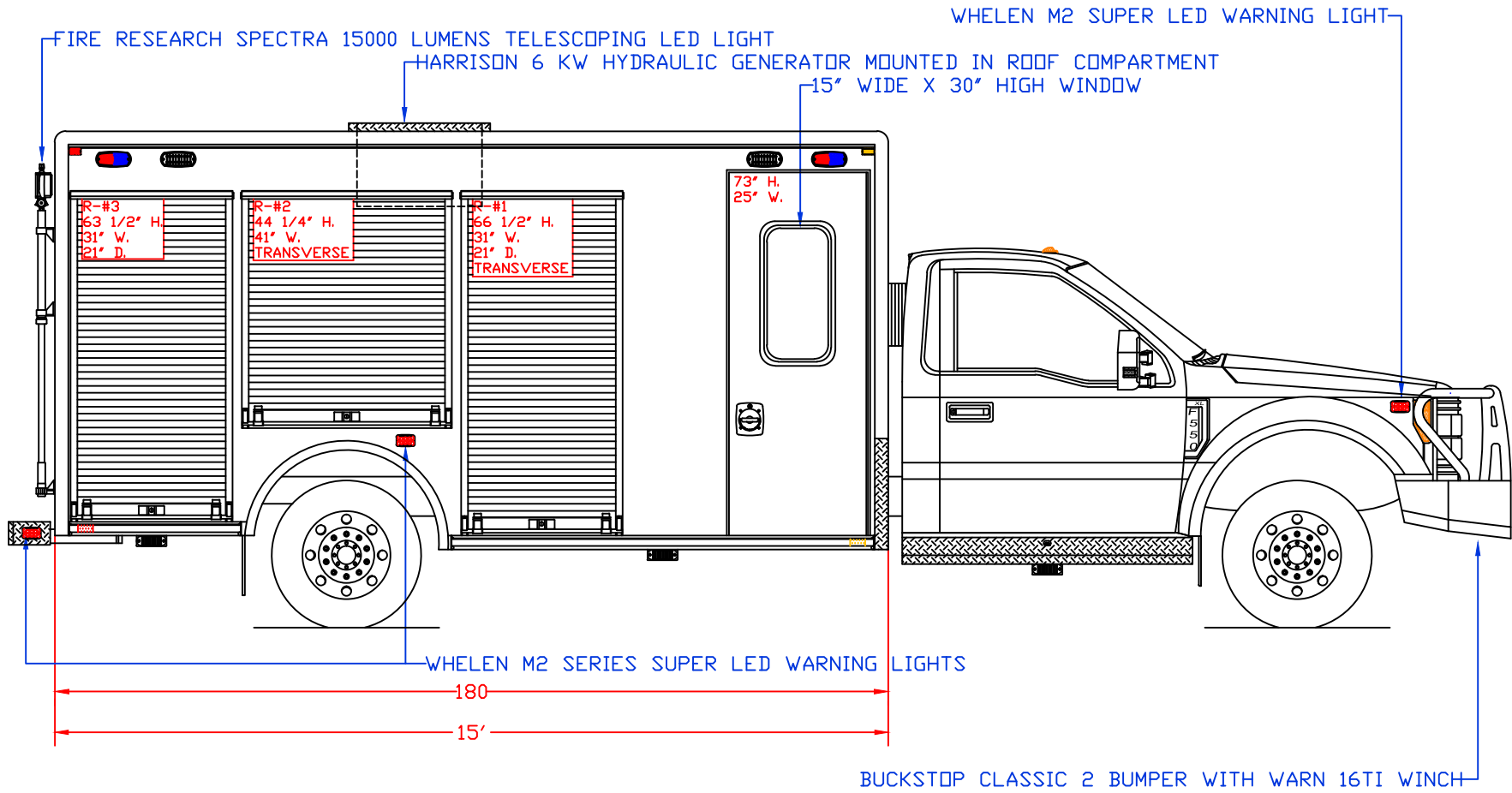


Maintainer Custom Bodies, Inc. mcbfire.com
909 South East Street (800) 843-4288 Toll Free
Rock Rapids, IA 51246 (712) 472-4725

PROPOSAL FOR: DENISON VOLUNTEER FIRE DEPARTMENT

CUSTOMER APPROVED BY:		PAINT CODE:	
VEHICLE TYPE: FRONT CREW RESCUE		CHASSIS: FORD F-550 REGULAR CAB 4X4	
VIEW: STREETSIDE		BODY MAT'L: ALUMINUM	
SCALE: NTS		BODY LENGTH: 180"	
DRAWN BY: NRW		APPROVED BY:	
DATE: 7/10/2018		BODY STYLE:	
DWG NO.: DENISONVFD		REVISION:	

NOTE: ALL DIMENSIONS ARE APPROXIMATE

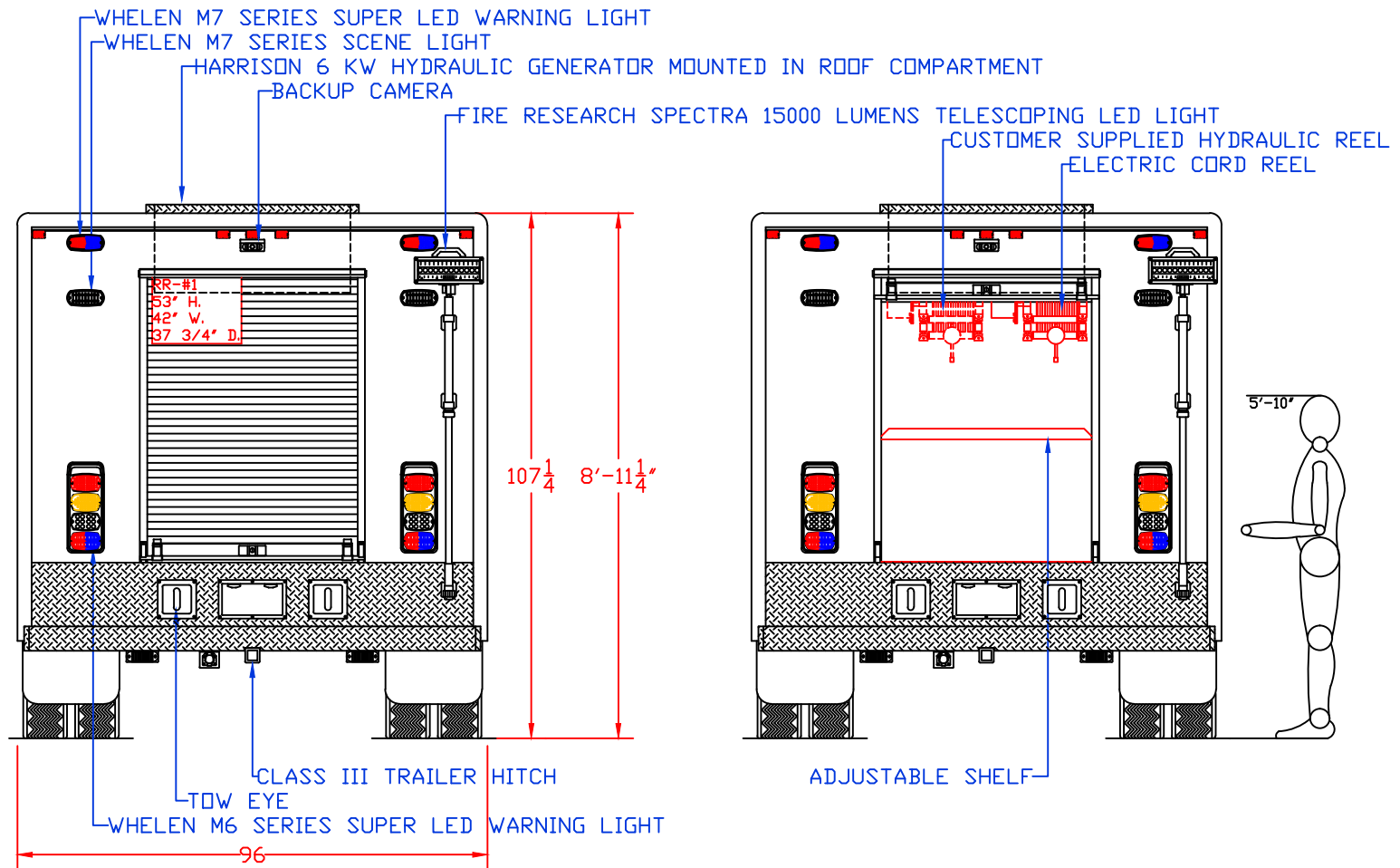


Maintainer Custom Bodies, Inc. mcbfire.com
 909 South East Street (800) 843-4288 Toll Free
 Rock Rapids, IA 51246 (712) 472-4725

PROPOSAL FOR: DENISON VOLUNTEER FIRE DEPARTMENT

CUSTOMER APPROVED BY:		PAINT CODE:	
VEHICLE TYPE: FRONT CREW RESCUE		CHASSIS: FORD F-550 REGULAR CAB 4X4	
VIEW: CURBSIDE		BODY MAT'L: ALUMINUM	
SCALE: NTS		BODY LENGTH: 180"	
DRAWN BY: NRW		APPROVED BY:	
DATE: 7/10/2018		BODY STYLE:	
DWG NO.: DENISONVFD		REVISION:	

NOTE: ALL DIMENSIONS ARE APPROXIMATE

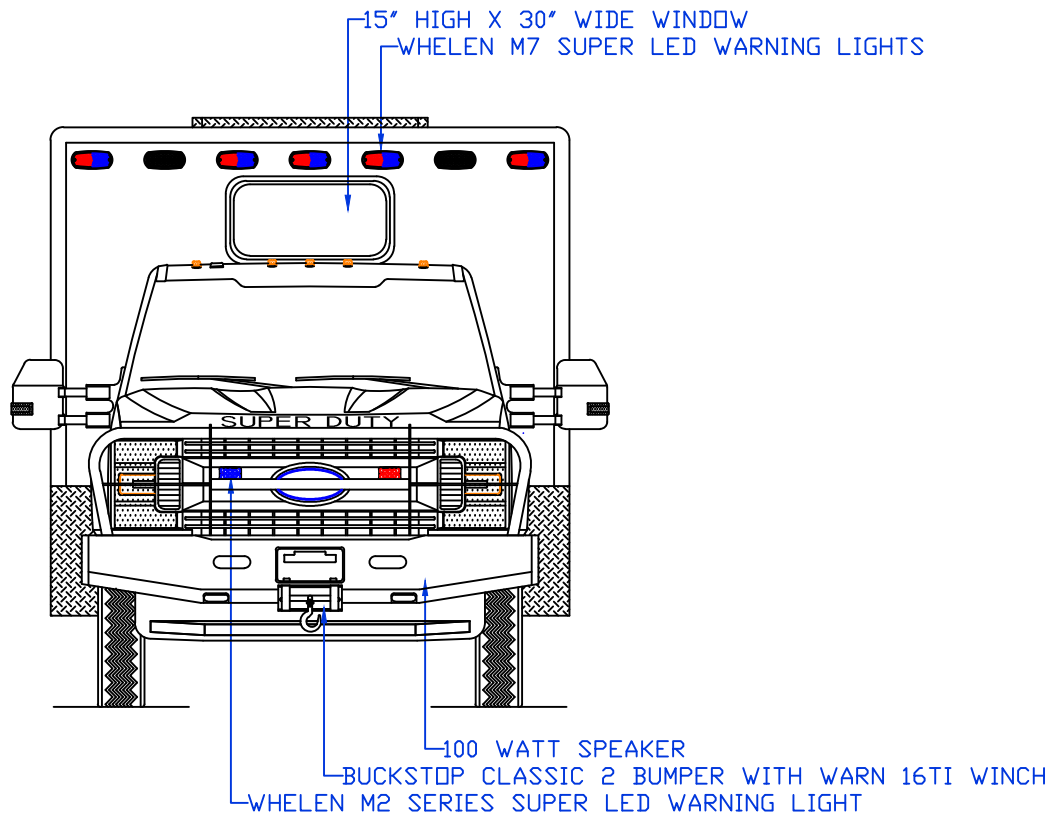


Maintainer Custom Bodies, Inc. mcbfire.com
 909 South East Street (800) 843-4288 Toll Free
 Rock Rapids, IA 51246 (712) 472-4725

PROPOSAL FOR: DENISON VOLUNTEER FIRE DEPARTMENT

CUSTOMER APPROVED BY:		PAIN CODE:
VEHICLE TYPE: FRONT CREW RESCUE	CHASSIS: FORD F-550 REGULAR CAB 4X4	
VIEW: REAR & REAR COMPARTMENT LAYOUT	BODY MAT'L: ALUMINUM	
SCALE: NTS	BODY LENGTH: 180"	
DRAWN BY: NRW	APPROVED BY:	
DATE: 7/10/2018	BODY STYLE:	
DWG NO.: DENISONVFD	REVISION:	

NOTE: ALL DIMENSIONS ARE APPROXIMATE



Maintainer *Custom Bodies, Inc.*
 909 South East Street (800) 843-4288 Toll Free
 Rock Rapids, IA 51246 (712) 472-4725

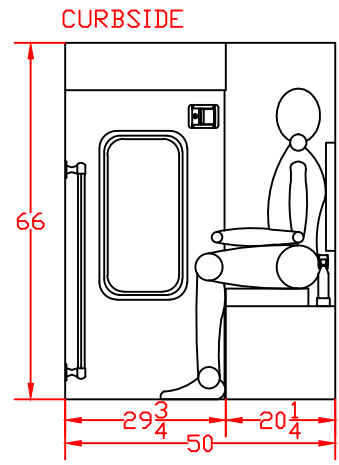
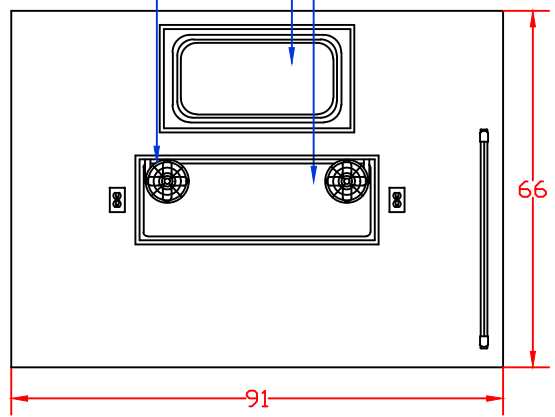
mcbfire.com

CUSTOMER APPROVED BY:		PAINT CODE:
VEHICLE TYPE: FRONT CREW RESCUE	CHASSIS: FORD F-550 REGULAR CAB 4X4	
VIEW: FRONT	BODY MAT'L: ALUMINUM	
SCALE: NTS	BODY LENGTH: 180"	
DRAWN BY: NRW	APPROVED BY:	
DATE: 7/10/2018	BODY STYLE:	
DWG NO.: DENISONVFD	REVISION:	

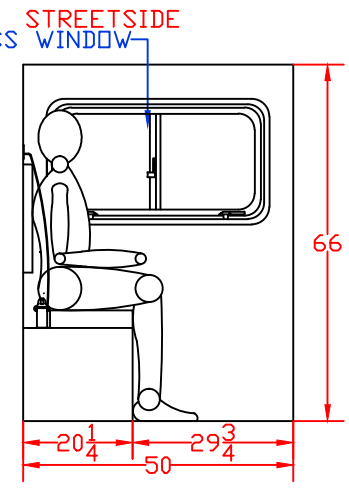
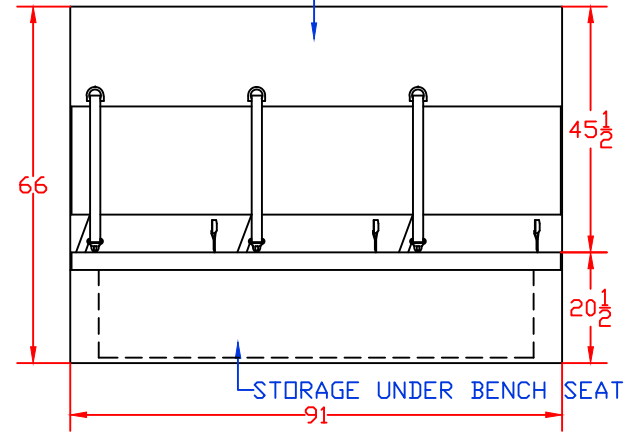
PROPOSAL FOR: DENISON VOLUNTEER FIRE DEPARTMENT

NOTE: ALL DIMENSIONS ARE APPROXIMATE

FRONT
 TWO BUS FANS MOUNTED IN TALK THRU AREA
 15" X 30" WINDOW
 TALK THRU TO CHASSIS CAB



BACK
 SEATING FOR THREE PEOPLE
 22" HIGH X 40" WIDE SLIDING EGRESS WINDOW
 STREETSIDE

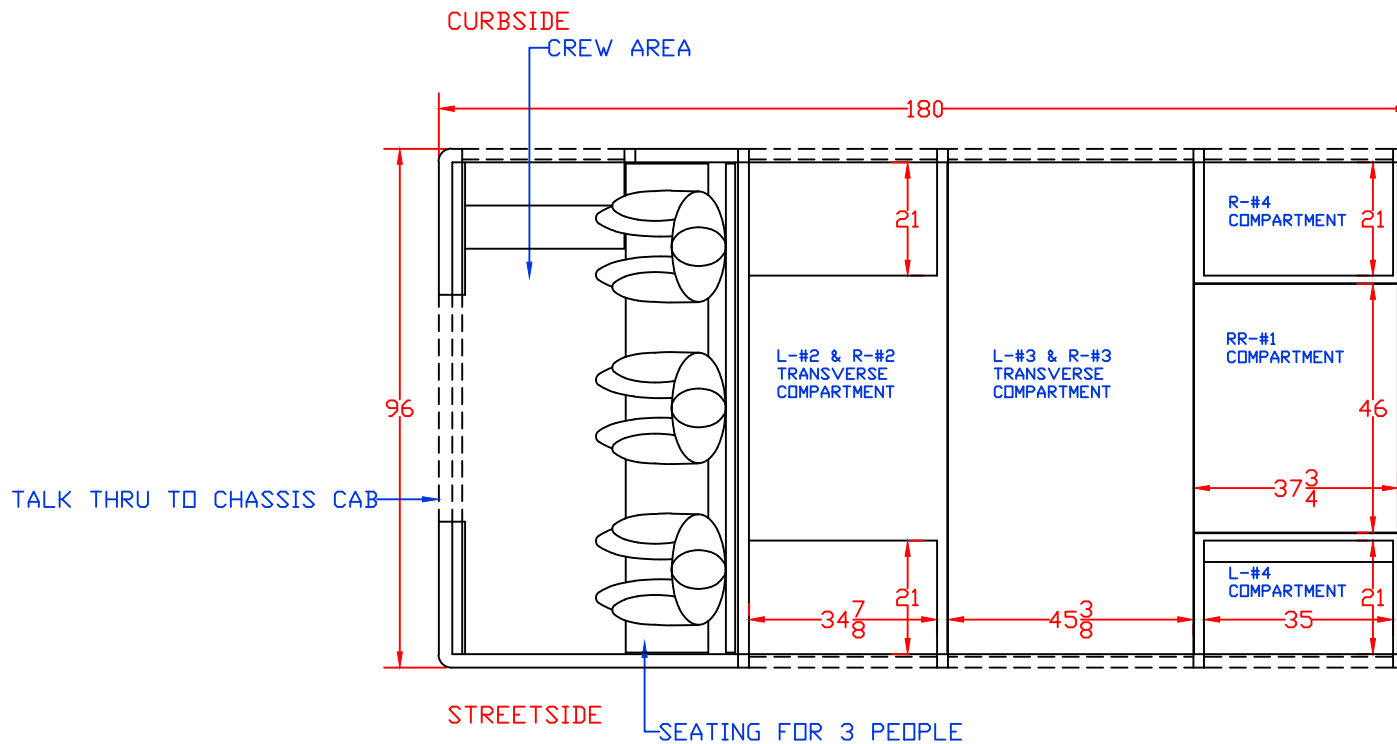


Maintainer Custom Bodies, Inc. mcbfire.com
 909 South East Street (800) 843-4288 Toll Free
 Rock Rapids, IA 51246 (712) 472-4725

PROPOSAL FOR: DENISON VOLUNTEER FIRE DEPARTMENT

CUSTOMER APPROVED BY:	PAINTE CODE:
VEHICLE TYPE: FRONT CREW RESCUE	CHASSIS: FORD F-550 REGULAR CAB 4X4
VIEW: CREW AREA	BODY MAT'L: ALUMINUM
SCALE: NTS	BODY LENGTH: 180"
DRAWN BY: NRW	APPROVED BY:
DATE: 7/10/2018	BODY STYLE:
DWG NO.: DENISONVFD	REVISION:

NOTE: ALL DIMENSIONS ARE APPROXIMATE

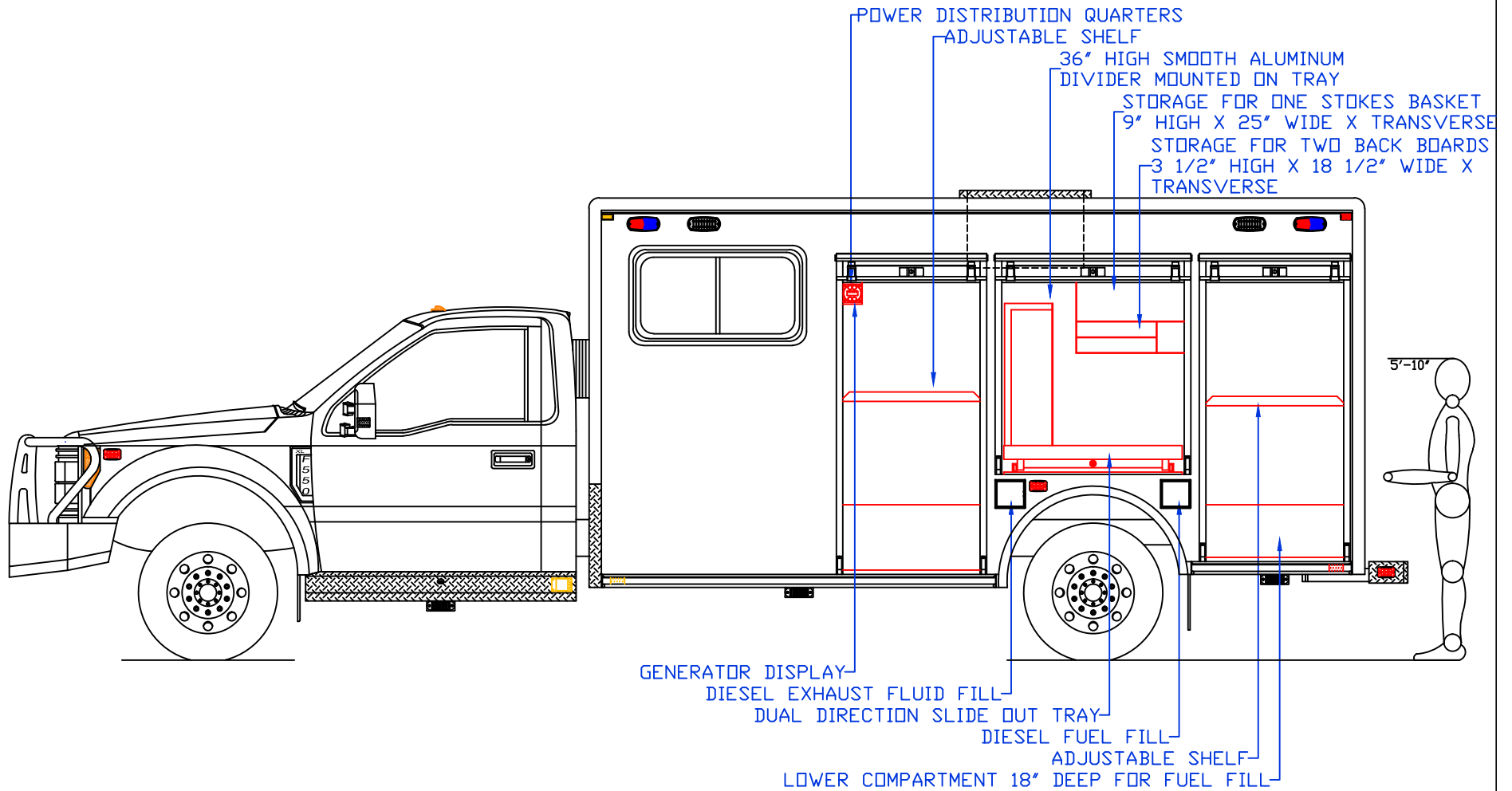


Maintainer Custom Bodies, Inc. mcbfire.com
 909 South East Street (800) 843-4288 Toll Free
 Rock Rapids, IA 51246 (712) 472-4725

PROPOSAL FOR: DENISON VOLUNTEER FIRE DEPARTMENT

CUSTOMER APPROVED BY:		PAINT CODE:	
VEHICLE TYPE: FRONT CREW RESCUE	CHASSIS: FORD F-550 REGULAR CAB 4X4		
VIEW: TOP	BODY MAT'L: ALUMINUM		
SCALE: NTS	BODY LENGTH: 180"		
DRAWN BY: NRW	APPROVED BY:		
DATE: 7/10/2018	BODY STYLE:		
DWG NO.: DENISONVFD	REVISION:		

NOTE: ALL DIMENSIONS ARE APPROXIMATE



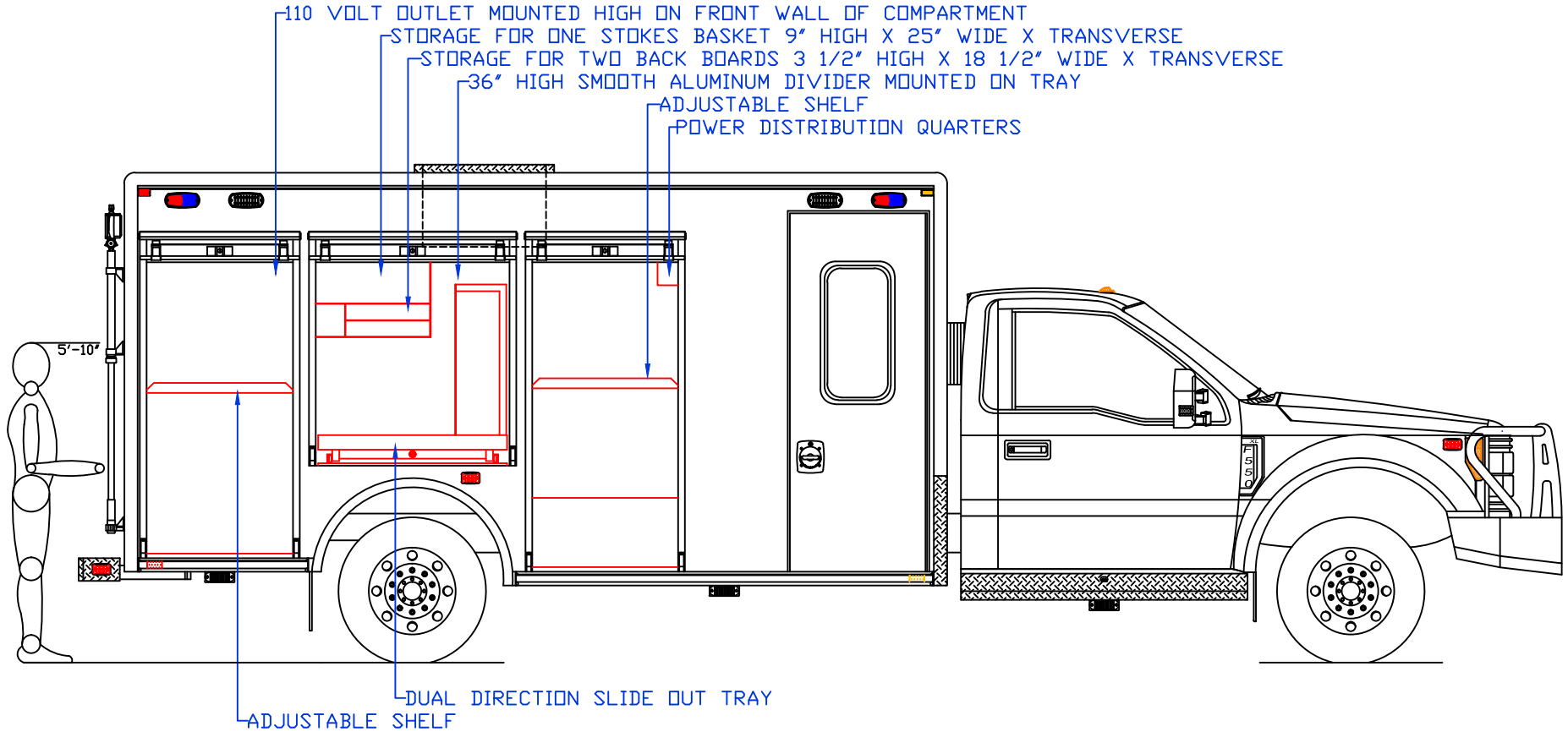
Maintainer Custom Bodies, Inc.
 909 South East Street (800) 843-4288 Toll Free
 Rock Rapids, IA 51246 (712) 472-4725

mcbfire.com

CUSTOMER APPROVED BY:		PAINT CODE:
VEHICLE TYPE: FRONT CREW RESCUE		CHASSIS: FORD F-550 REGULAR CAB 4X4
VIEW: STREETSIDE COMPARTMENT LAYOUT		BODY MAT'L: ALUMINUM
SCALE: NTS		BODY LENGTH: 180"
DRAWN BY: NRW		APPROVED BY:
DATE: 7/10/2018		BODY STYLE:
DWG NO.: DENISONVFD		REVISION:

PROPOSAL FOR: DENISON VOLUNTEER FIRE DEPARTMENT

NOTE: ALL DIMENSIONS ARE APPROXIMATE



Maintainer Custom Bodies, Inc. mcbfire.com
 909 South East Street (800) 843-4288 Toll Free
 Rock Rapids, IA 51246 (712) 472-4725

PROPOSAL FOR: DENISON VOLUNTEER FIRE DEPARTMENT

CUSTOMER APPROVED BY:		PAINT CODE:	
VEHICLE TYPE: FRONT CREW RESCUE		CHASSIS: FORD F-550 REGULAR CAB 4X4	
VIEW: CURBSIDE COMPARTMENT LAYOUT		BODY MAT'L: ALUMINUM	
SCALE: NTS		BODY LENGTH: 180"	
DRAWN BY: NRW		APPROVED BY:	
DATE: 7/10/2018		BODY STYLE:	
DWG NO.: DENISONVFD		REVISION:	

NOTE: ALL DIMENSIONS ARE APPROXIMATE